



# Chalfont Range

Floor Standing 



Wall Hung 

750mm x 500mm in Chrome

Floor Standing 938mm x 675mm in Chrome with Crosshead valves

# Chalfont Floor Standing page 111



Brass tubes with a steel sectional radiator  
CE approved & certified to BS EN442

Chrome with White Steel Radiator (main image)  
Antique Bronze with Ivory Steel Radiator (shown below)  
Antique Copper with Ivory Steel Radiator (shown below)  
Bright Nickel with White Steel Radiator (shown below)

**Stock Chrome: 48-72 Hours.**

Made to Order: Up to 5 weeks Bright Nickel & Chrome Electric,  
Up to 7 weeks Antique Bronze / Copper



**SAVE £40** WHEN YOU BUY OUR **CYLINDER KIT** WITH ANY TOWEL RAIL ORDER\*  
QUOTE **PROMOV3** AT TIME OF ORDER

Available in White or Chrome

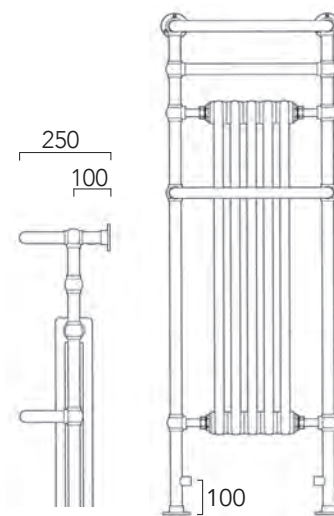
Pipe centres left to right	Pipe centres from wall	Maximum depth from wall
width - 157mm - valves	100mm	250mm

## Stock options Chrome

Height (mm)	Width (mm)	Model	Watts Δt 50°C	Btu's Δt 50°C	Chrome Ex VAT	Chrome Inc. VAT
DELIVERY TIMES					48-72 HOURS	
938	675	CHAL9367	554	1890	£1,293.00	£1,551.60
1500	500	CHAL1550	738	2518	£1,418.00	£1,701.60

## Made to order options

Height (mm)	Width (mm)	Model	Watts Δt 50°C	Btu's Δt 50°C	Bright Nickel Ex VAT	Bright Nickel Inc VAT	Antique Bronze Ex VAT	Antique Bronze Inc VAT	Antique Copper Ex VAT	Antique Copper Inc VAT
DELIVERY TIMES					UP TO 5 WEEKS		UP TO 7 WEEKS		UP TO 7 WEEKS	
938	675	CHAL9367	554	1890	£1,409.00	£1,690.80	£1,901.00	£2,281.20	£1,916.00	£2,299.20
1500	500	CHAL1550	738	2518	£1,566.00	£1,879.20	£1,943.00	£2,331.60	£1,994.00	£2,392.80



Antique Bronze



Antique Copper



Bright Nickel

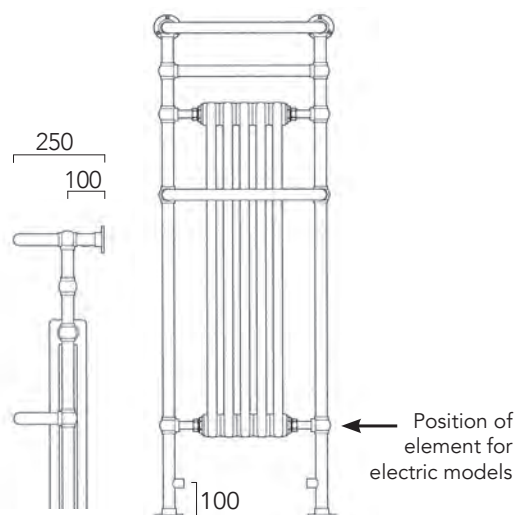
\*Saving based on the value of individual items when bought separately. Order any of our selected valves & matching pipe covers at the same time as your radiator; PROMOV3W (white), PROMOV3C (chrome).

## Made to order options - Electric



Height (mm)	Width (mm)	Model	Watts Δt 50°C	Chrome Ex VAT	Chrome Inc VAT
DELIVERY TIMES			UP TO 5 WEEKS		
938	675	CHAL9367EC	400	£1,431.00	£1,717.20

Supplied with standard element and powered from a switched fused spur.



# Chalfont Wall Hung on page 111 NEW ELECTRIC

Brass tubed wall hung design, suitable for a direct system  
CE approved & certified to BS EN442



Chrome (main image)  
Antique Bronze, Antique Copper & Bright Nickel  
(shown below)

### Stock Chrome: 48-72 Hours.

Made to Order: Up to 5 weeks Bright Nickel & Electric,  
Up to 7 weeks Antique Bronze / Copper



**SAVE £40** WHEN YOU BUY OUR **CYLINDER KIT** WITH ANY TOWEL RAIL ORDER\*  
QUOTE **PROMOV3** AT TIME OF ORDER

Available in White or Chrome

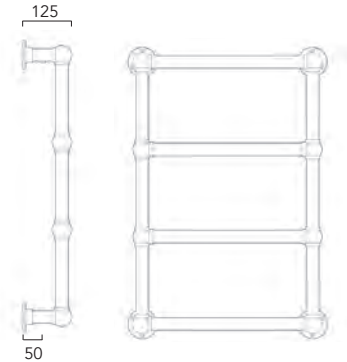
Pipe centres left to right	Pipe centre from wall	Maximum depth from wall
width - 75mm	50mm	125mm

### Stock options Chrome

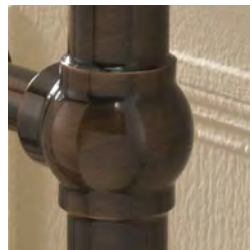
Height (mm)	Width (mm)	Model	Watts Δt 50°C	Btu's Δt 50°C	Chrome Ex VAT	Chrome Inc VAT
DELIVERY TIMES					48-72 HOURS	
750	500	CHAL7550	169	577	£874.00	£1,048.80

Made to order options

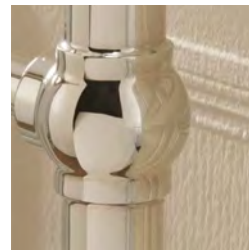
Height (mm)	Width (mm)	Model	Watts Δt 50°C	Btu's Δt 50°C	Bright Nickel Ex VAT	Bright Nickel Inc VAT	Antique Bronze Ex VAT	Antique Bronze Inc VAT	Antique Copper Ex VAT	Antique Copper Inc VAT
DELIVERY TIMES					UP TO 5 WEEKS		UP TO 7 WEEKS		UP TO 7 WEEKS	
750	500	CHAL7550	169	577	£961.00	£1,153.20	£1,212.00	£1,454.40	£1,269.00	£1,522.80



Antique Bronze



Antique Copper



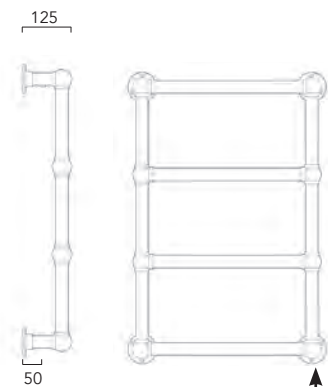
Bright Nickel

\*Saving based on the value of individual items when bought separately. Order any of our selected valves & matching pipe covers at the same time as your radiator; PROMOV3W (white), PROMOV3C (chrome).

### Made to order options - Electric NEW ELECTRIC

Height (mm)	Width (mm)	Model	Watts Δt 50°C	Chrome Ex VAT	Chrome Inc VAT	Bright Nickel Ex VAT	Bright Nickel Inc VAT
DELIVERY TIMES				UP TO 5 WEEKS		UP TO 5 WEEKS	
750	500	CHAL7550E	100	£1,032.00	£1,238.40	£1,115.00	£1,338.00

Supplied with standard element and powered from a switched fused spur.



Position of element for electric models