

Technical Specifications

Materials	Steel casing & floor mounts, aluminium grille, aluminium & steel convector.
Connections	½" flow and return same end.
Test pressure	12 Bar
Testing authority	EN442
Maximum operating pressure	6 Bar
Maximum working temperature	130°C
Packaging	Elements are wrapped in cardboard, casings and fittings are boxed separately.

PLEASE NOTE: Systems using micro bore pipework must have adequate pressure and flow rates for the number and style of radiators on the system.

Terms & Conditions

All products must be inspected once removed from the packaging and The Radiator Company notified within 28 days of delivery of any scratches, blemishes or other damage. The Radiator Company will then replace the radiator.

Imperfect radiators should therefore not be fitted and The Radiator Company will not accept responsibility for replacement of scratched or damaged radiators once they have been fitted. This includes any consequential loss or cost of fitting.

If The Radiator Company are not notified within 28 days of the date on the signed delivery note then it will be deemed that The Radiator Company have fully complied with its obligations and claims will not be considered.

Failure to comply with any of the above may invalidate any claims.

We recommend that after you check the product on delivery that it is stored in its packaging to prevent damage prior to installation. The Radiator Company cannot accept responsibility for items damaged after delivery.

Guarantees & Liabilities

As we are not the manufacturers of this product we will take all reasonable endeavours to make over to you the benefit of any warranty or guarantee given by the manufacturer, which is usually five years on most of our range. (Copies of specific guarantees for any of our products are available on request).

The guarantees in all cases are subject to the products being installed in accordance with British and or European standards as well as these fitting instructions. The guarantees in all cases are restricted to the free of charge replacement or repair of the failed product only. Our liability will under no circumstances extend beyond the repair or replacement of the product supplied by us. Claims for either labour in replacement or damage to property are not admissible. Any goods that are returned, in the event of a problem, will belong to The Radiator Company.



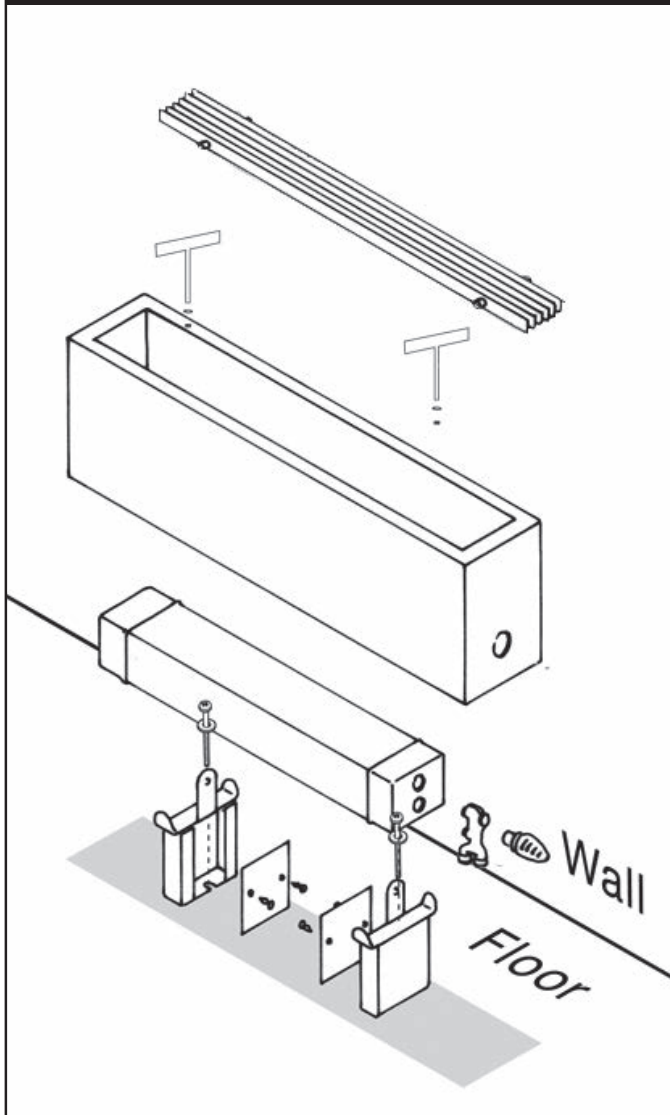
The Mini is a robust and practical product which is floor mounted, so it can be placed almost anywhere and is particularly suitable for positioning alongside glass.

Please read these instructions and terms and conditions carefully prior to installation. Failure to do so may invalidate the warranty.

The Radiator Company
Units 13 - 14 Charlwoods Road
East Grinstead
West Sussex
RH19 2HU



Exploded drawing of Mini



Pipe Centres

The Mini is free standing so can be positioned anywhere in the room.

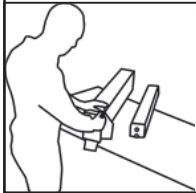
Pipe connections exit one end.

Edge of casing to first pipe centre = 30mm

Pipe centres left to right = 38mm

1 Unpack & Inspect

The Radiator Company prides itself on selecting products from manufacturers who exercise tight quality control measures. We only select models with excellent standards of welding and brazing, as well as high quality finishes. All of our products are well packaged and should reach you in perfect condition. Just in case however, we offer a minimum 5-year no quibble guarantee for all radiators and towel rails.



Please carefully unpack and inspect this radiator and all fittings. The Radiator Company must be notified of any shortages or damage within 28 days of delivery. For further information please see terms and conditions on back page.

2 Contents

You should have:

- 1 Convector
- 1 Casing
- 1 Grille
- 2 Floor mounts
- 1 TRV head
- 1 Manifold
- 1 Air vent
- 2 Retaining bars

You will need:

- 2 Suitable fixings
- Electric drill and bits

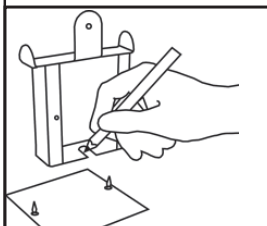
3 Mark Bracket Positions

The Mini is free standing and therefore can be placed anywhere in the room. The floor mounts are fixed to the floor using suitable fixings. For a smooth appearance the removable panels are ideally placed inwards facing each other. The panels should not be fixed in place until the installation is complete (retain and keep safe the panels and plastic push fit fixings ready for use in section 6).

To mark the fixing positions for the floor mounts, simply push the tongue through the fins on the convector then move these to their final destination and mark the positions for the holes to be drilled.

PLEASE NOTE :

For a symmetrical appearance the floor mounts are positioned off-centre along the convector as shown below. Both are spaced equal amounts, but for the bracket nearest the air vent end add an additional 30mm.



4 Fix Brackets

Using a suitable drill bit, accurately drill the pre-marked holes, securely fix and align the floor mounts.

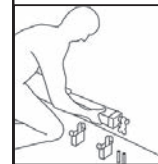
PLEASE NOTE :

It is essential that the floor mounts are in alignment prior to positioning the convector.

5 Hang Convector & Commission

With the floor mounts firmly fixed to the floor, the convector is pushed down so the bracket tongues are forced between the fins to their predetermined positions.

With the convector securely positioned the manifold air vent and pipe work can be connected. Do not fit the TRV head at this point.



PLEASE NOTE :

The convector sits off-centre due to the allowance required by the TRV and the manifold. As shown in step 3.

6 Fit Grille & Casing

With the convector positioned and connected the casing can be lowered and secured onto the floor mounts. First place the screw thread of the retaining bars through the hole in the floor mount and secure loosely with the nuts and washers provided (please note the fins through which the bar passes may be bent slightly, this will not affect performance). Turn the retaining bar at right angles to the fins and lower the casing into position. With the casing positioned turn the retaining bar parallel to the fins and tighten securely. When the casing is secure, the grille can be put in place and the panels on the floor mounts can be fixed in place using the plastic push fit fixing pins.

The casing and grille can be easily removed for cleaning and / or decorating purposes by simply removing the TRV head and removing the retaining bars.

Please Note: In accordance with Part L1 2006 of the Building Regulations and BS7593:1992 code of practice for the treatment of hot water and central heating systems, we strongly recommend flushing the heating system post installation of new radiators and then adding the correct quantity and type of inhibitor for use with your radiator and system to prevent corrosion. Damage caused to systems not protected by a suitable inhibitor will not be covered by manufacturer's guarantee.