

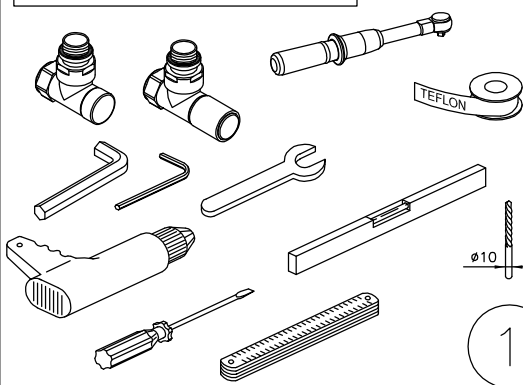
RELAX single Vertical RELAX single Horizontal

Fitting Instructions

Accessories not included

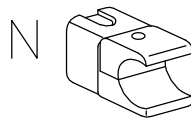
Cmax = Maximum torque
Cmin = Minimum tightening torque

mm



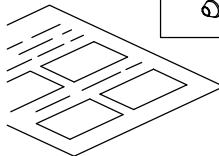
1

Accessories included

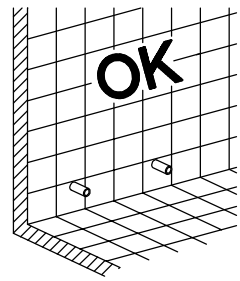


2xN

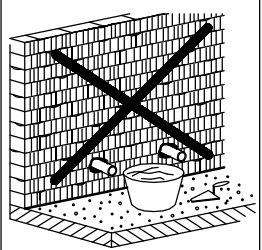
Dowels and screws to be used only on compact walls or hollow bricks.



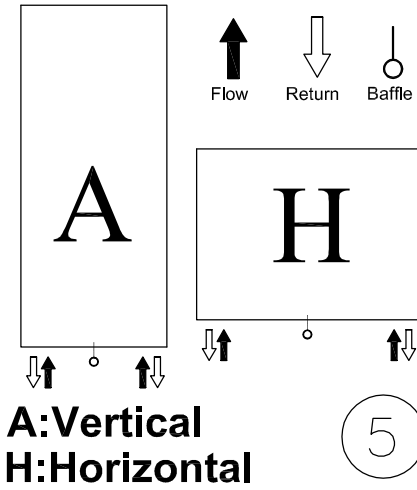
2



3



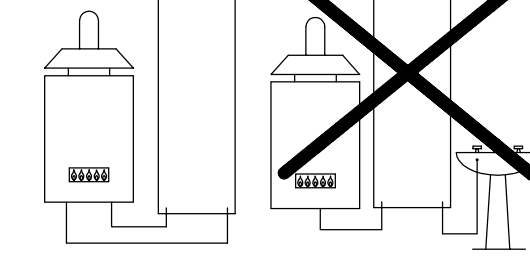
4



A:Vertical
H:Horizontal

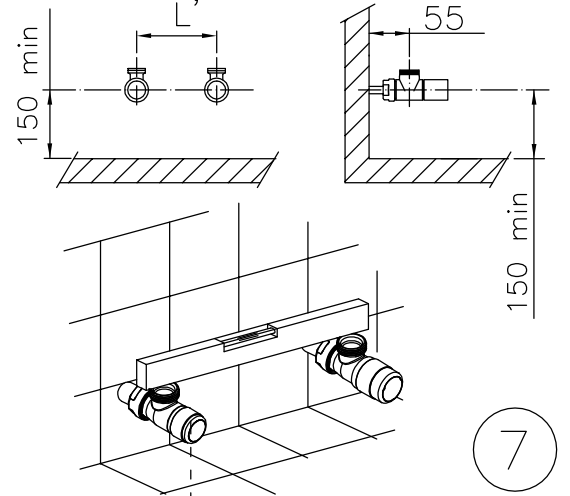
5

OK

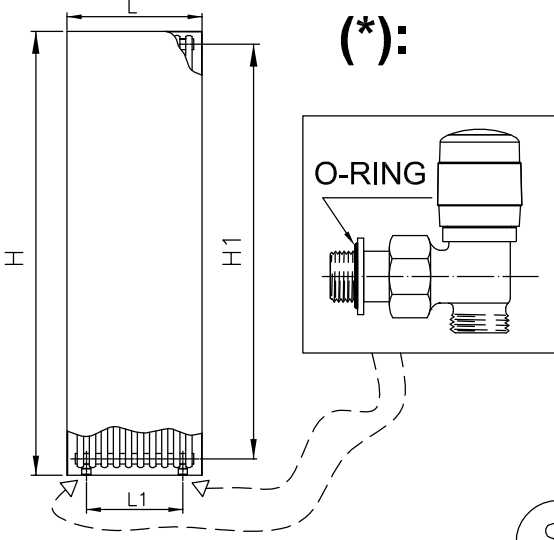


(*):
EXAMPLE WITH RELAX VERTICAL

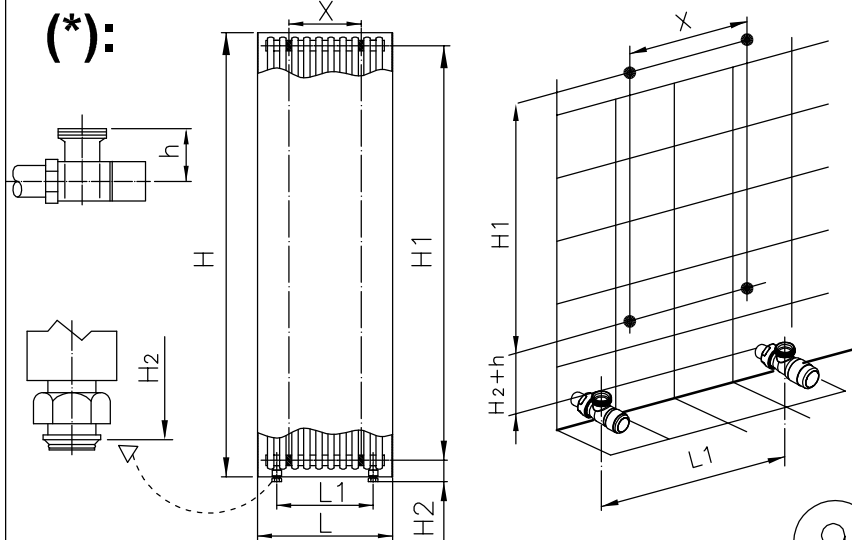
6



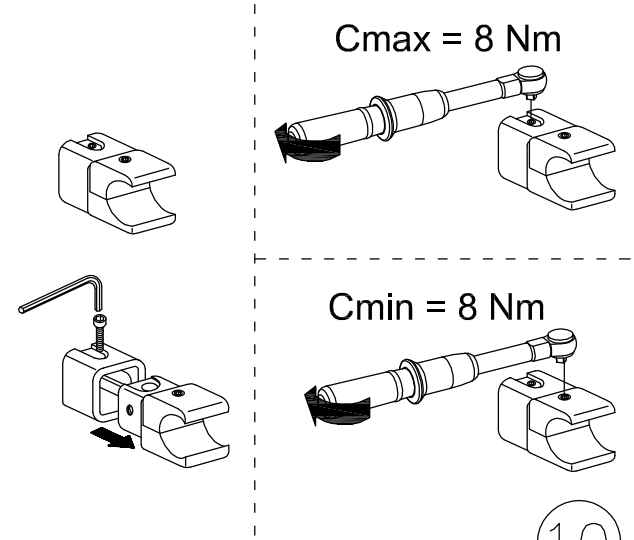
7



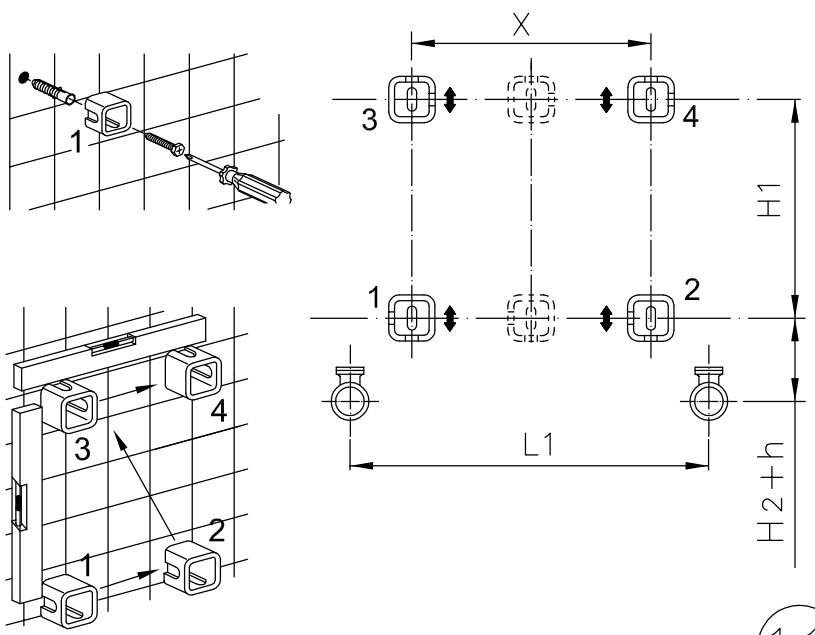
8



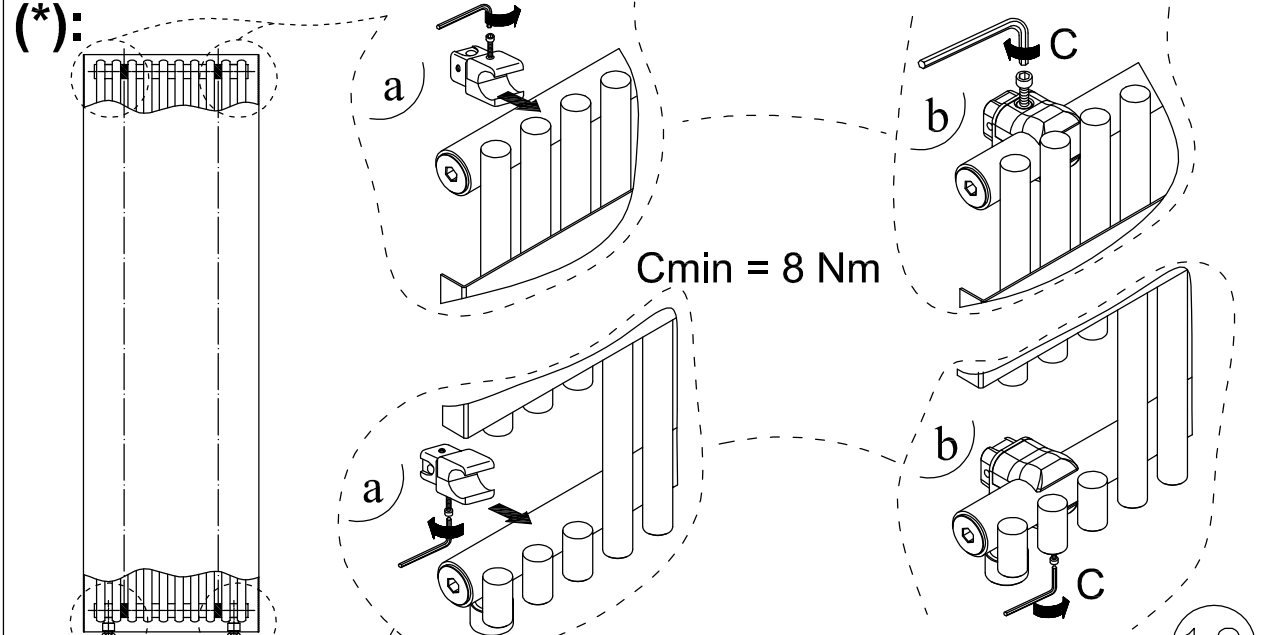
9



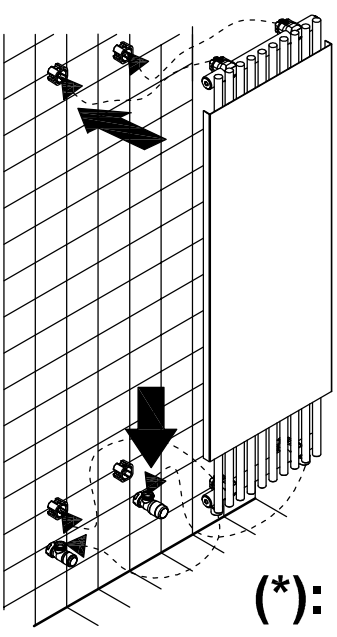
10



11

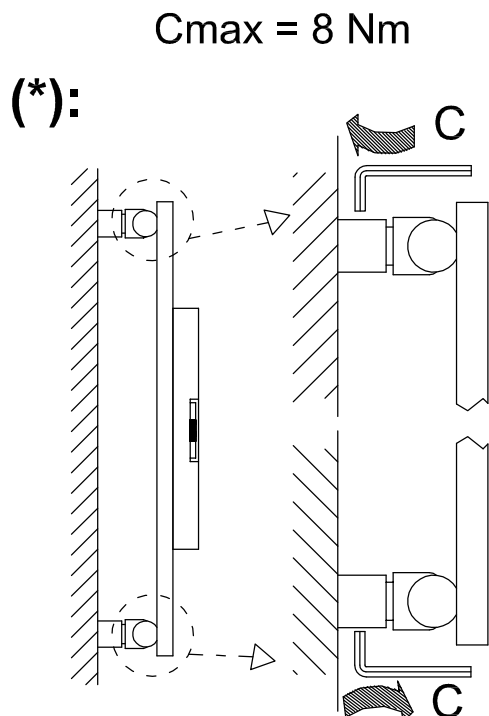


12



(*):

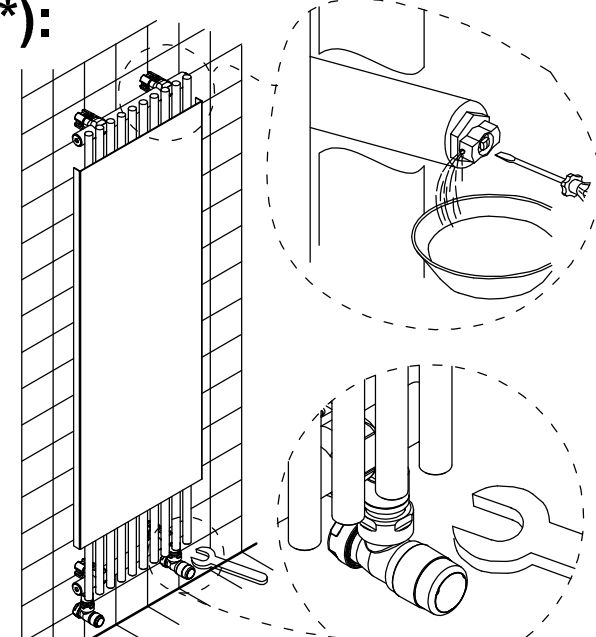
13



(*):

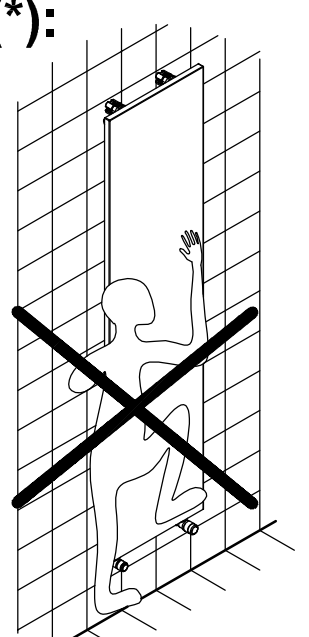
14

(*):



15

(*):



16

COMMISSION

Please Note: In accordance with Part L1 2006 of the Building Regulations and BS7593:1992 code of practice for the treatment of hot water and central heating systems, we strongly recommend flushing the heating system post installation of new radiators and then adding the correct quantity and type of inhibitor for use with your radiator and system to prevent corrosion. Damage caused to systems not protected by a suitable inhibitor will not be covered by manufacturer's guarantee.

TECHNICAL SPECIFICATIONS

Materials	Mild Steel.
Connections	½ flow and return.
Test pressure	6 Bar
Testing authority	EN 442
Maximum operating pressure	4 Bar
Maximum working temperature	95°C
Packaging	Wrapped in polyethylene with cardboard box.

PLEASE NOTE: Systems using micro bore pipework must have adequate pressure and flow rates for the number and style of radiators on the system.

TERMS & CONDITIONS

All products must be inspected once removed from the packaging and The Radiator Company notified within 28 days of delivery of any scratches, blemishes or other damage.

The Radiator Company will then replace the radiator.

Imperfect radiators should therefore not be fitted and The Radiator Company will not accept responsibility for replacement of scratched or damaged radiators once they have been fitted. This includes any consequential loss or cost of fitting.

If The Radiator Company are not notified within 28 days of the date on the signed delivery note then it will be deemed that The Radiator Company have fully complied with its obligations and claims will not be considered.

Failure to comply with any of the above may invalidate any claims.

We recommend that after you check the product on delivery that it is stored in its packaging to prevent damage prior to installation. The Radiator Company cannot accept responsibility for items damaged after delivery.

GUARANTEES & LIABILITIES

This product is guaranteed for 10 years . The guarantee is subject to the product being installed in accordance with British and or European standards as well as these fitting instructions. The guarantee in all cases are restricted to the free of charge replacement or repair of the failed product only. Our liability will under no circumstances extend beyond the repair or replacement of the product supplied by us. Claims for either labour in replacement or damage to property are not admissible. Any goods that are returned, in the event of a problem, will belong to The Radiator Company.

The Radiator Company
Units 13 - 14 Charlwoods Road
East Grinstead
West Sussex
RH19 2HU

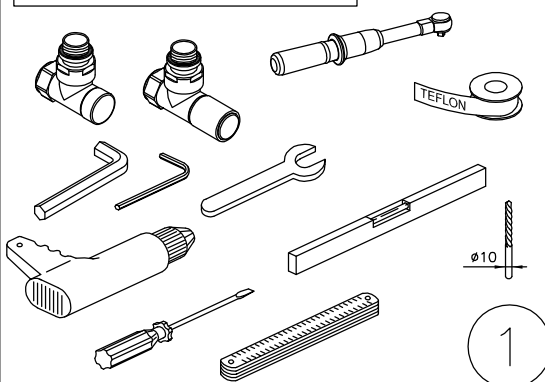
A brand of **IRSAP** , Italy's leading manufacturer of design led radiators.

If you have any questions please contact us on 01342 302250
www.theradiatorcompany.co.uk

Accessories not included

Cmax = Maximum torque
C min = Minimum tightening torque

mm



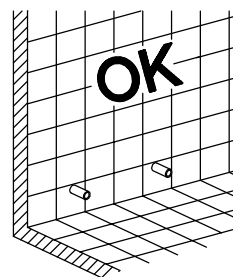
1

Accessories included

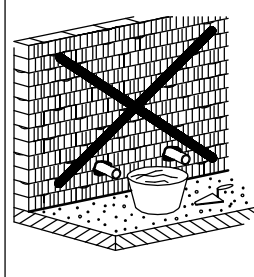


Dowels and screws to be used only on compact walls or hollow bricks.

2



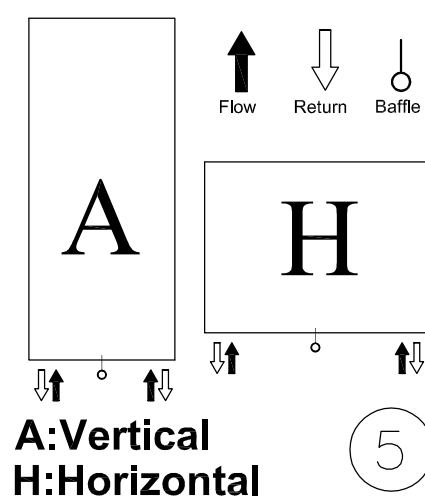
3



4

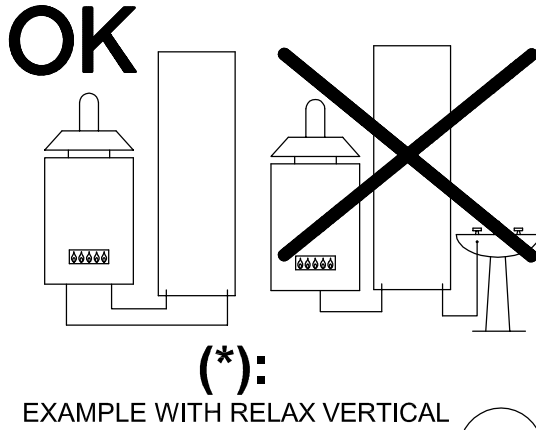
RELAX double Vertical
RELAX double Horizontal

Fitting Instructions



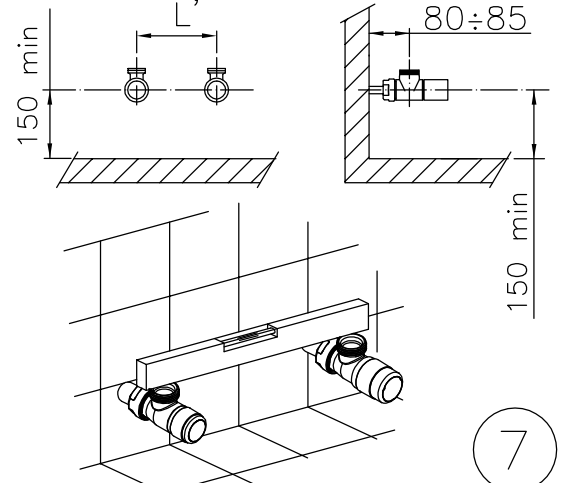
A:Vertical
H:Horizontal

5

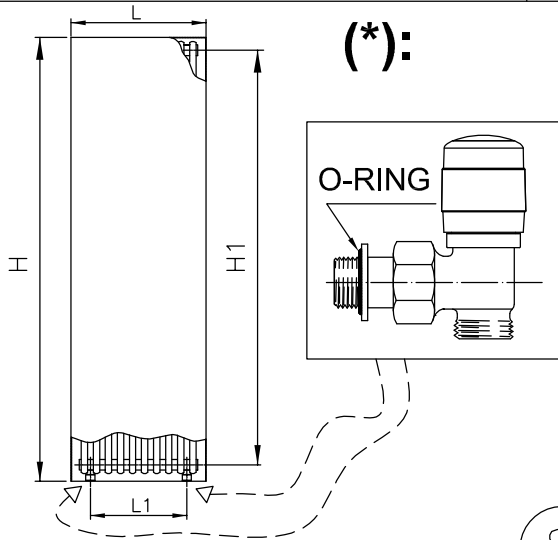


(*) EXAMPLE WITH RELAX VERTICAL

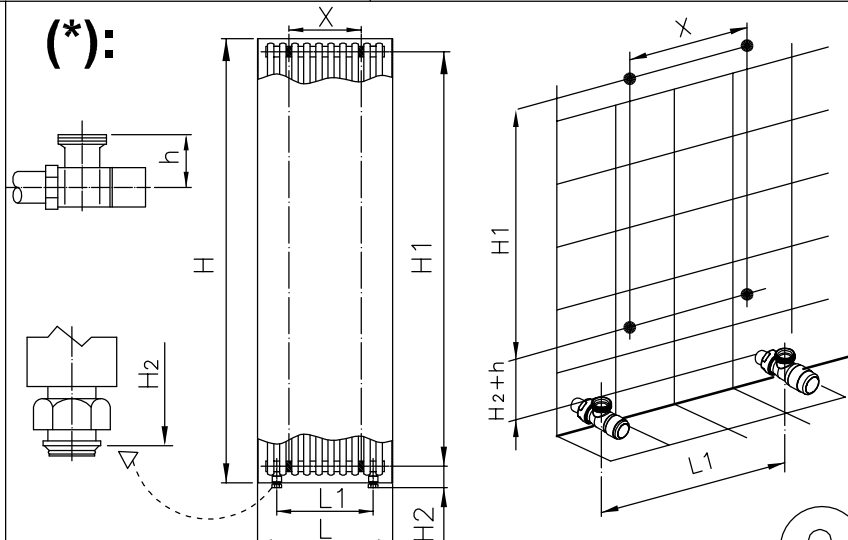
6



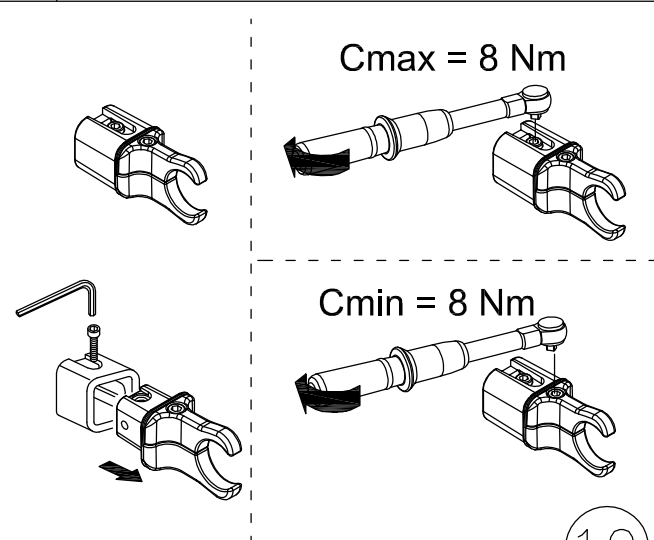
7



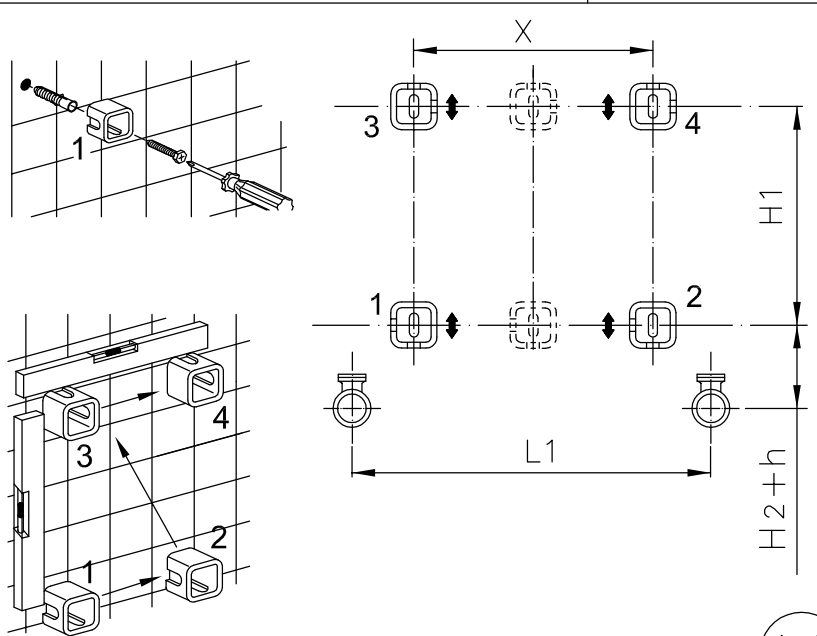
8



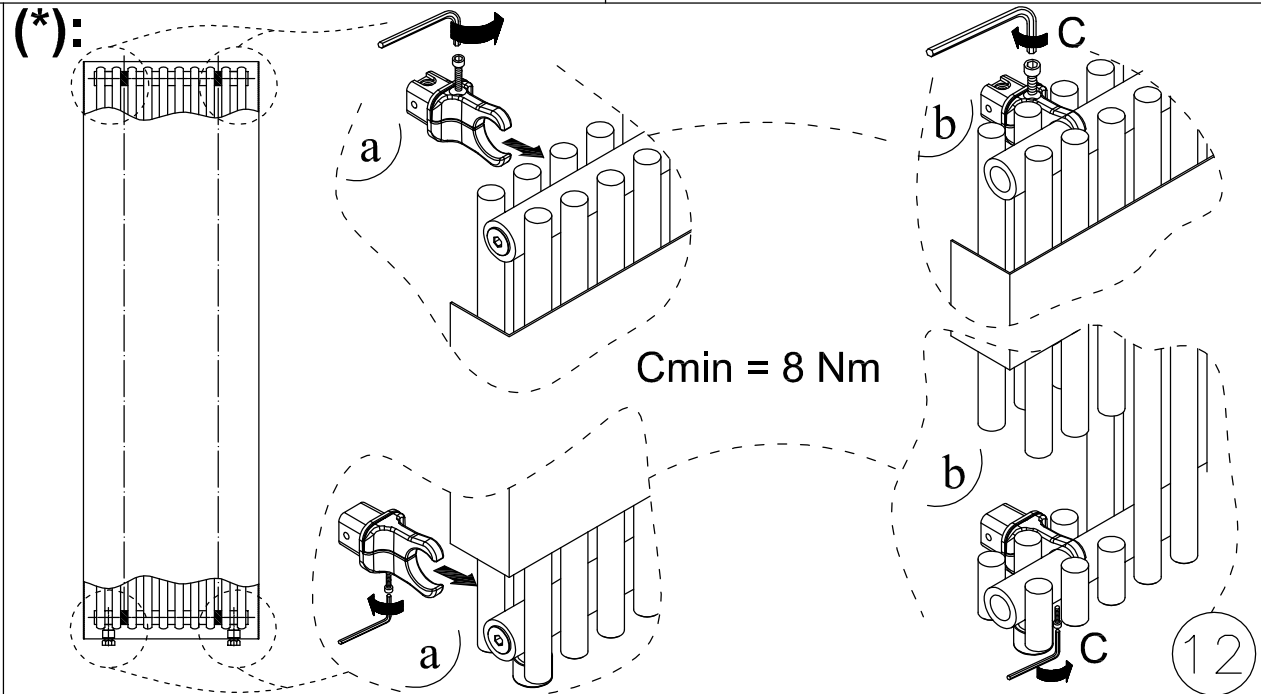
9



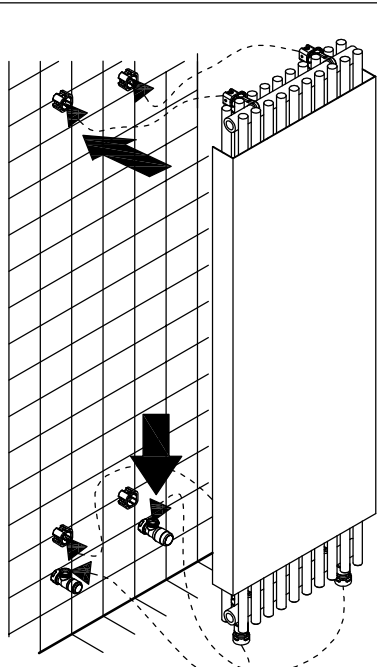
10



11

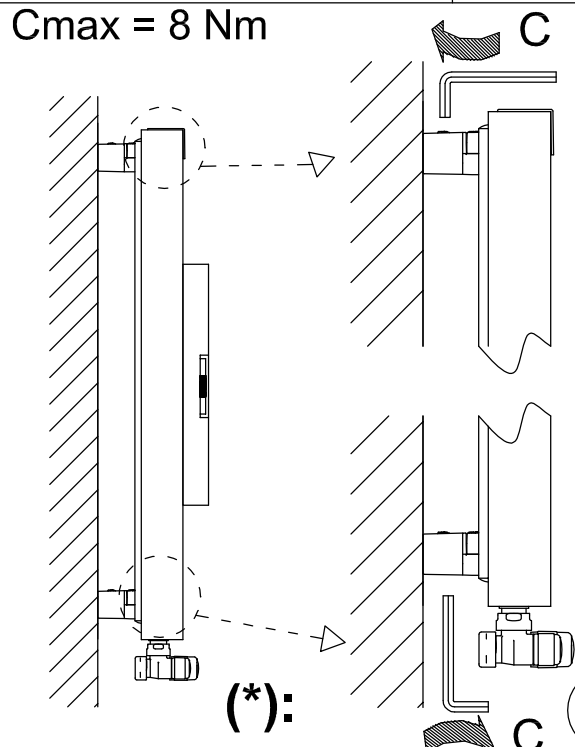


12



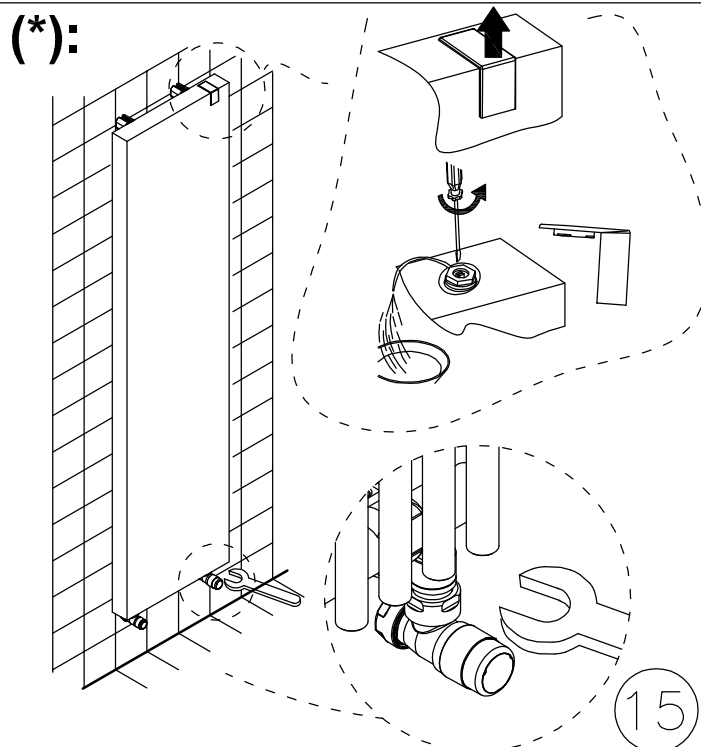
(*)

13



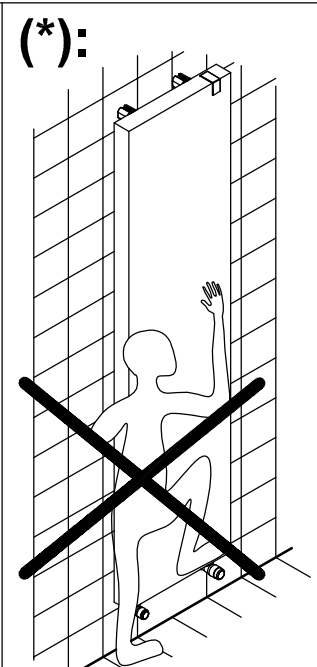
(*)

14



(*)

15



(*)

16

COMMISSION

Please Note: In accordance with Part L1 2006 of the Building Regulations and BS7593:1992 code of practice for the treatment of hot water and central heating systems, we strongly recommend flushing the heating system post installation of new radiators and then adding the correct quantity and type of inhibitor for use with your radiator and system to prevent corrosion. Damage caused to systems not protected by a suitable inhibitor will not be covered by manufacturer's guarantee.

TECHNICAL SPECIFICATIONS

Materials	Mild Steel.
Connections	½ flow and return.
Test pressure	6 Bar
Testing authority	EN 442
Maximum operating pressure	4 Bar
Maximum working temperature	95°C
Packaging	Wrapped in polyethylene with cardboard box.

PLEASE NOTE: Systems using micro bore pipework must have adequate pressure and flow rates for the number and style of radiators on the system.

TERMS & CONDITIONS

All products must be inspected once removed from the packaging and The Radiator Company notified within 28 days of delivery of any scratches, blemishes or other damage.

The Radiator Company will then replace the radiator.

Imperfect radiators should therefore not be fitted and The Radiator Company will not accept responsibility for replacement of scratched or damaged radiators once they have been fitted. This includes any consequential loss or cost of fitting.

If The Radiator Company are not notified within 28 days of the date on the signed delivery note then it will be deemed that The Radiator Company have fully complied with its obligations and claims will not be considered.

Failure to comply with any of the above may invalidate any claims.

We recommend that after you check the product on delivery that it is stored in its packaging to prevent damage prior to installation. The Radiator Company cannot accept responsibility for items damaged after delivery.

GUARANTEES & LIABILITIES

This product is guaranteed for 10 years . The guarantee is subject to the product being installed in accordance with British and or European standards as well as these fitting instructions. The guarantee in all cases are restricted to the free of charge replacement or repair of the failed product only. Our liability will under no circumstances extend beyond the repair or replacement of the product supplied by us. Claims for either labour in replacement or damage to property are not admissible. Any goods that are returned, in the event of a problem, will belong to The Radiator Company.

The Radiator Company
Units 13 - 14 Charlwoods Road
East Grinstead
West Sussex
RH19 2HU

A brand of **IRSAP** , Italy's leading manufacturer of design led radiators.

If you have any questions please contact us on 01342 302250
www.theradiatorcompany.co.uk