

Technical Specifications

| | |
|-------------------------|--------------------------|
| Materials | Steel. |
| Packaging | Polythene wrap and boxed |
| Voltage-feed | 230V 50Hz, 1ph |
| Insulation Class | II |
| Protection degree | IP44 |
| Length electrical cable | 1200mm |

Electronic ambient thermostat with "pilot wire" control

The association between electrical heater and the radiator model allows a radiator surface temperature no higher than about 70°C. The Towel Warmer is filled in the factory with a measured quantity of a special liquid, to optimize the heat transmission. Because of this, any repairs which require the opening of the towel-rail, must be executed from the manufacturer. This applies equally in the unlikely event of the special liquid leaking out of the towel-rail.

Maintenance - Recommendations for use

- This radiator should be cleaned regularly, particularly when in use (at least once a month). Switch off at the socket before cleaning the radiator. Clean it using a non-abrasive product and a soft cloth.
- If you wish to open the window, it is advisable to switch the radiator to standby to save wasting energy.
- If you encounter any problems or the radiator needs to be repaired, do not do this yourself; Please contact The Radiator Company.

Guarantees & Liabilities

The Lupin towel rail is guaranteed for 10 years, the electric parts for 2 years. The guarantees in all cases are subject to the products being installed in accordance with British and or European standards as well as these fitting instructions. The guarantees in all cases are restricted to the free of charge replacement or repair of the failed product only. Our liability will under no circumstances extend beyond the repair or replacement of the product supplied by us. Claims for either labour in replacement or damage to property are not admissible. Any goods that are returned, in the event of a problem, will belong to The Radiator Company.

Terms & Conditions

All products must be inspected once removed from the packaging and The Radiator Company notified within 28 days of delivery of any scratches, blemishes or other damage. The Radiator Company will then replace the radiator.

Imperfect radiators should therefore not be fitted and The Radiator Company will not accept responsibility for replacement of scratched or damaged radiators once they have been fitted. This includes any consequential loss or cost of fitting.

If The Radiator Company are not notified within 28 days of the date on the signed delivery note then it will be deemed that The Radiator Company have fully complied with its obligations and claims will not be considered. Failure to comply with any of the above may invalidate any claims.

We recommend that after you check the product on delivery that it is stored in its packaging to prevent damage prior to installation. The Radiator Company cannot accept responsibility for items damaged after delivery.

Fittings Instructions



Cod. 1180M1019

Please read these instructions and terms and conditions carefully prior to installation. Failure to do so may invalidate the warranty.

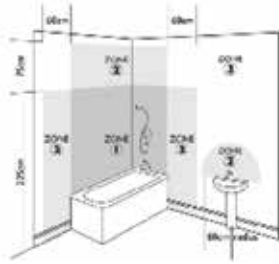
The Radiator Company
Units 13 - 14 Charlwoods Road
East Grinstead
West Sussex
RH19 2HU

LUP_ELE_1.0

Radiators Position

The positioning of the Lupin Electric must be chosen very carefully. It must be installed correctly and in compliance with building and electric regulations.

This towel rail is a registered Class II, IP 44 heating panel, which is protected against water spray. It can be installed in zone 2, provided that the controls are in zone 3 and cannot be reached by anyone using the bath or shower.



- It must not be installed in zone 1.
- Never earth it.
- An electrical plug must not be used.
- Do not install below a power socket. It must only be used indoors.

2 Contents

You should have:

- 1 Towel Rail
- 4 Wall brackets (in parts)

You will need:

- Tape measure
- Electric drill and bits
- Spirit level
- Screwdrivers
- Allen Key

3 Electrical Connection

This radiator is designed for connection to a ~230 V power supply with a fixed socket. It comes with a connecting cable (A O5 WF). The cable must be connected to a junction box behind the radiator in compliance with the applicable standards. It is necessary to install an omnipolar cut-out, with a contact distance of at least 3mm.

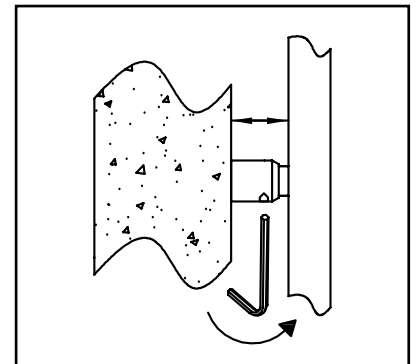
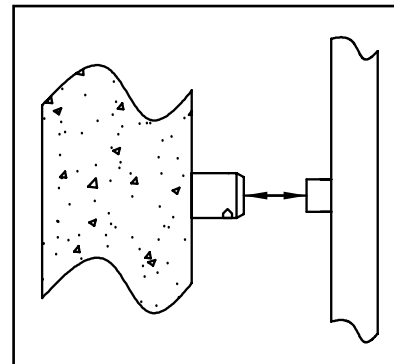
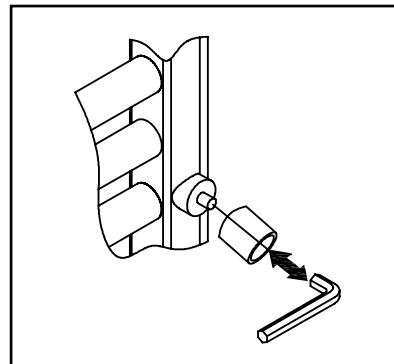
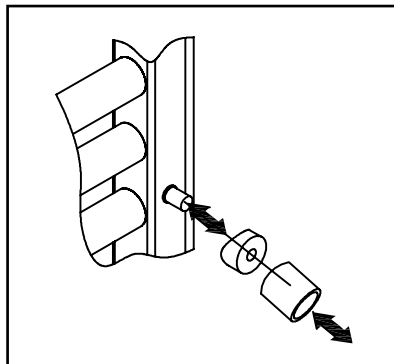
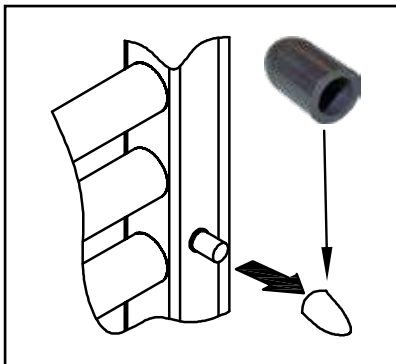
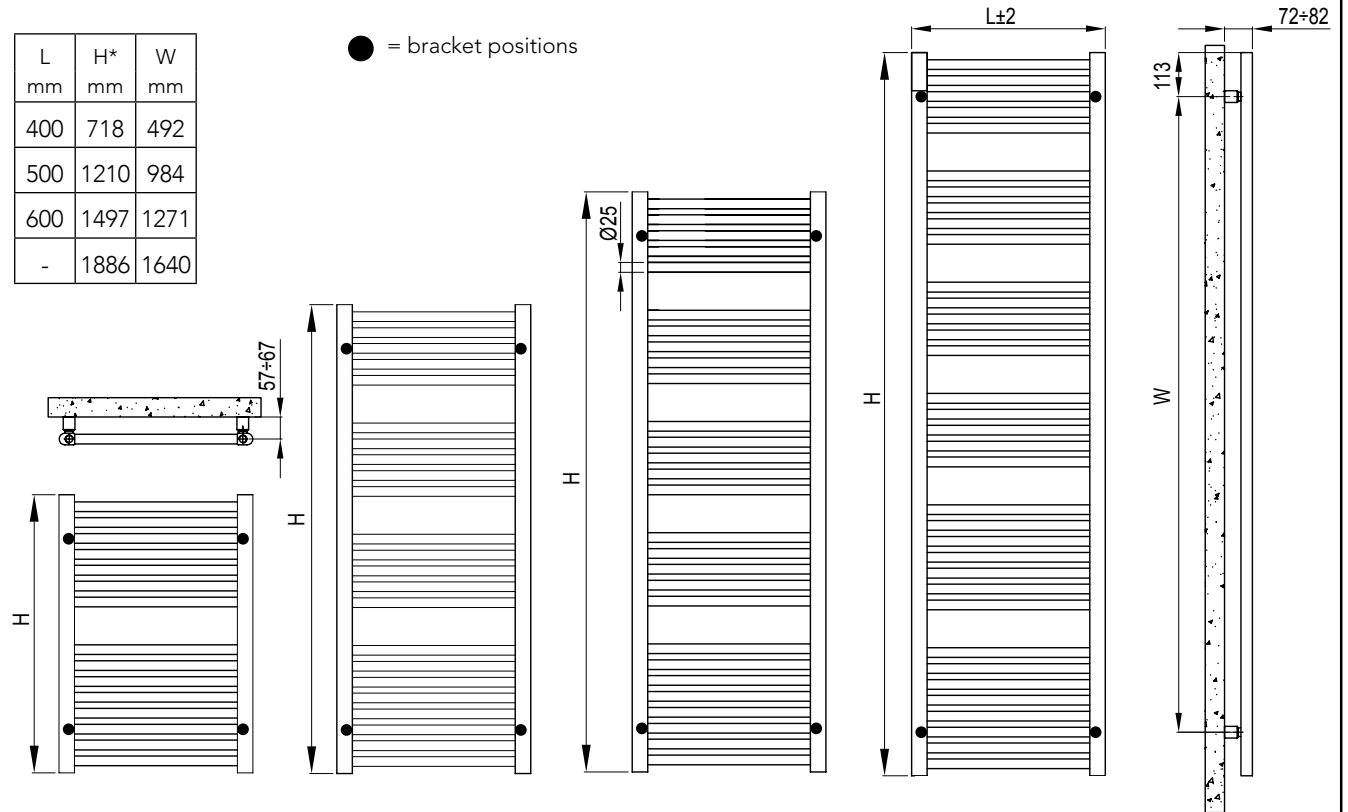
If the power cable gets damaged or needs to be changed, as a safety precaution it must be replaced by the manufacturer, an authorised after-sales service or a qualified Part P competent person.

Bracket Positioning for Lupin

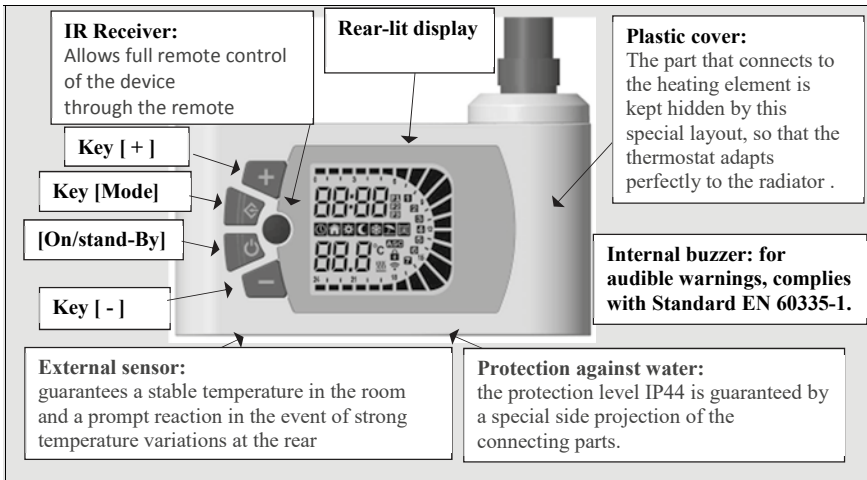
H* without electrical part

| L mm | H* mm | W mm |
|---------|----------|---------|
| 400 | 718 | 492 |
| 500 | 1210 | 984 |
| 600 | 1497 | 1271 |
| - | 1886 | 1640 |

● = bracket positions



Operation and Setting



TECHNICAL FEATURES

The Towel Warmer is an electrical appliance with the following features:

- Voltage-feed 230V 50Hz, 1ph
- Insulation Class II
- Protection degree IP44
- Length electrical cable 1200 mm
- Electronic ambient thermostat with "pilot wire" control in compliance with EDF/GIFAM/DOMERGIE

INSTALLATION

The radiator must be installed by qualified staff.

Always fix the heated Towel Warmer to the wall as per the assembly instructions enclosed.

The installation must be carried out by a specialized firm in compliance with the standards in force.

When installing the towel rail the IEC 60364-7-701 according to the edition in force must be complied.

To supply the towel rail, an omnipolar switch, with at least 3 mm of distance between contacts, must be employed.

When installing in bathrooms or in shower-rooms, the appliance should be installed in such a way to avoid the switch and other controls to be reached by people using the bathroom or the shower. (see Fig. B)

The radiator must not be installed immediately beneath a fixed current outlet.

Take utmost care while installing the Towel Warmer to avoid damaging the electronic thermostat and the connecting cable.

In order to avoid every risk to the children, we recommend installing the device in such way that the lowest heating pipe is at least 600 mm above the ground.

DIRECTIONS FOR USE

The towel warmer must be used only for the purpose described in the manual. In particular, children must not play with the appliance.

Do not apply on the towel warmer radiator accessories other than those prescribed or recommended by the manufacturer.

Connect the towel warmer to the mains power supply only after it has been fixed to the wall.

Children under 3 must be kept at a distance unless under continuous surveillance.

Children between 3 and 14 years of age and persons with reduced physical, sensory or mental capacities, or who lack experience or the necessary knowledge can use the towel warmer on condition that it has been positioned or installed in the normal position contemplated and they have been instructed and trained in its safe use and are aware of the potential risks.

Children under the age of 14 must not adjust or clean the appliance.

Children and persons with reduced physical, sensory or mental capacities, or who lack experience or the necessary knowledge must not perform cleaning or routine maintenance of the towel warmer.

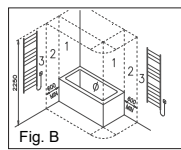
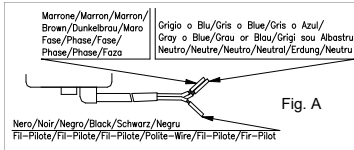
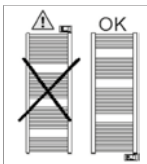
It is absolutely prohibited:

- To power the heating element control before having checked the correct installation of the thermostat on the towel warmer towel warmer.
- To cut the power supply cable to disconnect the appliance
- To damage the power supply cable. If the power cable is damaged the complete electric heating element must be repaired or replaced by the manufacturer or by their technical assistance service, or by a qualified person authorised by the manufacturer, so as to prevent any risk.

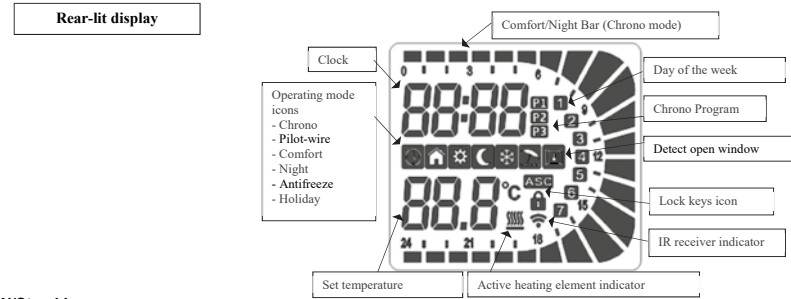
WARNING:

DURING OPERATION, THE TOWEL WARMER PRESENTS HOT SURFACES, SOME PARTS CAN GET VERY HOT, AND CAUSE BURNS UNLESS PARTICULAR CARE IS TAKEN. Particular attention should be paid to the presence of children and vulnerable people

- During operation it is normal for the last two pipes at the bottom and the first one at the top to remain lukewarm.
- Only fabrics washed with water can be dried on the towel warmer.
- Do not use corrosive or abrasive products or solvents to clean towel warmer or the plastic parts that contain the electrical parts.



Operation and Setting



1. ON/Stand-by

Press the **[ON/Stand-by]** key (Fig.1) to switch on the appliance or to activate "Stand-by" mode.

When it is active, the bottom area of the display shows the current time, while the top shows the set mode and the temperature. During "Stand-by", the display shows the letters "Stb", the current time and the day of the week.

NOTE: When the device enters "Stand-by" mode, 2 bips are produced lasting 0.5 seconds. When the thermostat is on, it emits 1 bip per second.

Example of "Comfort" mode



Example of "Stand-by" mode



2. OPERATING MODES SETTABLE FROM THE THERMOSTAT

Press the **[Mode]** key (fig.1) to select the desired mode.

An icon on the display will indicate the active operating mode (see table below).

| Table of operating modes | | | | | | |
|--------------------------|------------|---------|-------|------------|---------|----------|
| | | | | | | 2h |
| Chrono | Pilot-wire | Comfort | Night | Antifreeze | Holiday | 2h Timer |

Sequence of modes:

Chrono -> Holiday -> Pilot-wire -> Comfort -> Night -> Antifreeze -> 2h Timer

2.1 Chrono Mode

This operating mode allows the user to configure different temperature values for each hour of each day of the week. The "Comfort"/"Night" temperatures and the related time intervals can thus be programmed.

To activate this function press the **[Mode]** key until the "Chrono" icon is displayed.

To select pre-set programming of the week P1, P2 or P3, hold down the **[Mode]** key for 3 sec.

Pre-set programs:

- P1 = from day 1 to day 5 "Comfort" mode from 8 a.m. to 6 p.m. and "Night" mode in the other periods;
- P2 = from day 1 to day 5 "Comfort" mode from 6 to 9 a.m. and from 5 to 11 p.m.; from day 6 to day 7 "Comfort" mode from 7 a.m. to 11 p.m. and "Night" mode in the other periods;
- P3 = totally configured by the customer.

2.2 Holiday Mode

"Holiday" mode activates the heating element of the electronic control when the ambient temperature falls below the antifreeze temperature.

It is recommended to use this mode when the room is not occupied for several days.

Press the **[Mode]** key until the respective icon is selected and set the holiday hours.

When this time is past, the thermostat returns to "Comfort" mode.

2.3 Pilot-wire Mode

In "Pilot-wire" mode, the appliance is run by a special control unit that sets the operating mode for all the connected thermostats.

The appliance also recognises the most advanced "Pilot-wire" system with six orders, which allows the use of the functions described below:

1. **Stand-by:** switches off the heating element but the thermostat remains on;
2. **Comfort:** maintains the "Comfort" temperature set by the user;
3. **ECO:** maintains the room temperature 3.5°C lower than the "Comfort" temperature;
4. **Antifreeze:** maintains the room temperature at 7°C;
5. **Comfort-1:** maintains the room temperature 1°C lower than the "Comfort" temperature;
6. **Comfort-2:** maintains the room temperature 2°C lower than the "Comfort" temperature.

To activate the "Pilot-wire" function:

- Press the **[Mode]** key until the "Pilot-wire" icon appears on the display.
- Set the desired temperature with the **[+/-]** keys and wait for the temperature to stop blinking on the display.

NOTE: if the "Pilot-wire" is not installed in the system, the predefined operating mode is "Comfort". In this case, do not connect the "Pilot-wire" cable of the thermostat to the yellow/green earth cable and insulated it.

Operation and Setting

2.4 Comfort Mode

The "Comfort" temperature corresponds to the temperature desired by the user and it is the temperature used for "Chrono", "Pilot-wire" and "Comfort" modes.

This operating mode is intended for normal use of the appliance.

- Press the **[Mode]** key until the "Comfort" icon appears on the display;
- Set the desired temperature with the **[+/-]** keys and wait for the temperature to stop blinking on the display.

The "Comfort" temperature can be set in the whole interval ("Night" mode temperature + 0.5°C) to 32°C.

2.5 Night Mode

In "Night" mode the settable temperature is lower than the "Comfort" temperature. It is recommended to use this mode during the night or when the room is not used for 2 hours or more.

The "Night" temperature is also used for "Chrono" mode.

- Press the **[Mode]** key until the "Night" icon appears on the display;
- To modify the "Night" temperature, use the **[+/-]** keys and wait for the temperature to stop blinking on the display.

NOTE: The "Night" temperature must always be lower than or the same as the "Comfort" temperature; for this reason the "Night" temperature can be set between 7°C and the "Comfort" temperature minus 0.5°C.

2.6 Antifreeze Mode

In "Antifreeze" mode the temperature is fixed at 7°C. The appliance activates the heating element automatically when the room temperature falls below 7°C.

It is recommended to use this mode when the room is not used for several days.

- Press the **[Mode]** key until the "Antifreeze" icon appears on the display.

2.7 2h Timer Mode

"2h Timer" mode can be used to heat the room rapidly or to dry towels faster.

- Press the **[Mode]** key until the "2h Timer" icon appears on the display.

The heating element is activated for 2 hours, irrespective of the set temperature (in any case, the maximum temperature that can be reached in the room will be 32°C). At the end of the 2 hours, the thermostat returns to the mode set previously. If necessary, the user can deactivate the function at any time by pressing the **[Mode]** key.

NOTE: Do not activate the 2h Timer mode directly from the Stand-by status

3 FUNCTIONS

3.1 Keyboard lock

It is possible to lock the keys of the device to avoid accidental modifications of the settings.

Hold down the **[+]** and **[-]** keys for 3 seconds to lock all the keys except the **[On/Stand-by]** key.


The key-lock icon will appear on the display.

To unlock the keys, hold down the **[+]** and **[-]** keys again for 3 seconds. The key-lock icon will disappear from the display.

3.2 "Detect open window" function

The "Detect open window" function allows an open window to be detected by perceiving a sudden decrease of the temperature in the room.

In this case, the device deactivates the heating element for a maximum of 30 minutes or until an increase in the ambient temperature indicates that the window has been closed.

When this function is enabled, the  icon is lit.

When the device detects that the window might be open, the "Open window" icon starts to blink.

When the function is deactivated, the "Open window" icon is not shown on the display.

3.3 Adaptive Starting Control (ASC)

If activated, this function switches on the radiator earlier than the "Chrono" program (maximum 2 hours earlier) to ensure that the room has reached the desired temperature at the set time.

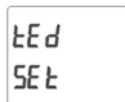
Note: the function needs at least a couple of days to reach maximum efficiency.

4 SETTINGS

Setting of the device.

From "Stand-by" mode, hold down the **[Mode]** key for at least 3 seconds.

The message "SEt" will be shown at the bottom of the display:



To select what you want to change:

Press the **[+]** key to choose between tEd (date and time), Pro9 (weekly program P3) and Funct (functions).

4.1 tEd (date and time):

Press the **[Mode]** key to enter editing mode.

The flashing number indicates the day of the week currently selected: press the **[+]/[-]** keys to set the desired day.

Press the **[Mode]** key again to confirm the selected day.

After that, the procedure for entering the time begins and the current time flashes on the display. "Hours": use the **[+]** and **[-]** keys to set the correct hour and confirm the selected value by pressing the **[Mode]** key.

"Minutes": same procedure as for the hours. Confirm the selected value by pressing the **[Mode]** key.

At the end of the procedure, a double beep confirms the data acquired and the thermostat returns to "Stand-by" mode.

Operation and Setting

4.2 Pro9 (weekly program P3):

Press the **[Mode]** key to enter P3 editing mode:

Programming begins at 00:00 on the first day of the week.



The upper side display shows the setting time 00 in the example, meaning from 00:00 to 01:00.

Press the **[+]** key if you want the "Comfort" temperature for this time or press the **[-]** key if you want the "Night" temperature, then automatically show 01 which means from 01:00 to 02:00, choose the temperature as before. The empty bar means "Night" temperature, the full bar means "Comfort" temperature.

After having set all 24 hours, press the **[Mode]** key to change to day no. 2 of the week and proceed with the same procedure as the previous day to set all the other days of the week (7).

At the end of the procedure, a double beep confirms the data acquired and the thermostat returns to "Stand-by" mode.

4.3 Funct (functions):


To activate or deactivate "Detect open window" and ASC (Adaptive Starting Control).


Press the **[Mode]** button to enter editing, the detect open window icon will flash: press the **[+]** key if you want to activate (On) or press the **[-]** key if you want to deactivate (Off);

Press the **[Mode]** button to enter editing, now the ASC icon will flash: press the **[+]** key if you want to activate (On) or press the **[-]** key if you want to deactivate (Off);

Press the **[Mode]** button to confirm; at the end of the procedure, a double beep confirms the data acquired and the thermostat returns to "Stand-by" mode.

Note 1: the device might not succeed in detecting an open window if, for example, the thermostat is in an isolated area of the room, far from draughts, close to an external source of heat or if the temperature variation in the room is too slow.

Note 2: when the  symbol is lit, the heating element is active.

Note 3: the  icon indicates that the signal from the remote control is received.

Note 4: in the event of loss of power, the "Chrono" mode settings (current day of the week, current time, daily program for the week) remain in the memory for at least 5 minutes.

Note 5:

Attention: in the case "Timer 2h" mode is activated directly starting from stand-by status ("S t b" word on display) and, finished the two hours, electronics is blocked, execute the following procedure:

1. keep **[Mode]** button pressed for at least 1 second;
2. release **[Mode]** button and immediately press the **[ON / Stand-by]** button.

Point 2 must be done very quickly so we recommend making more than one attempt.

REMOTE CONTROL (OPTIONAL)

The electronic thermostat is equipped with an IR receiver and can therefore be controlled at a distance using an optional remote control.

All the modes and the functions described above are available on the remote control.



INFORMATION FOR USERS

in accordance with article 14 of the Directive 2012/19/EU of 07/07/2012 on waste electrical and electronic equipment.

- The symbol shown above, present also on the equipment, indicates that it has been placed on the market and that, when the user decides to get rid of it, it must be disposed of in separate waste collection (including all the components, sub-assemblies and consumer materials which are an integral part of the product).
- For information on the systems for collecting these appliances, please contact the company or another subject enrolled in the various National Registers for other countries in the European Union. Waste produced in the home (or of similar origin) may be consigned to systems for the separate collection of urban waste.
- When buying a new appliance of an equivalent type, it is possible to hand over the old equipment to the seller. The seller will then contact the subject in charge of the collection of the equipment.
- The appropriate separate collection of the scrapped equipment and the subsequent operations of processing, recovery and environment-compatible disposal, allows the avoidance of potential negative effects on the environment and on human health, while favouring the recycling and recovery of the component materials.

The unauthorised disposal of the product by the user entails the application of the sanctions contemplated under the national approval of Directives 2011/65/EU, 2008/98/EC and 2015/1127/EU.