

Uxbridge NEW



455mm x 758mm in Farrow & Ball® Downpipe® No.26, with Nickel Vintage XL TRV's



750mm x 520mm high in RAL 9016 with footed end sections and Chrome Vintage XL TRV valves

Cast Iron

Our cast iron range includes a choice of ornate and plain school house designs. Available in a choice of finishes including painted polished and burnished cast iron radiators can be specified by section so you can choose the right size for your space.



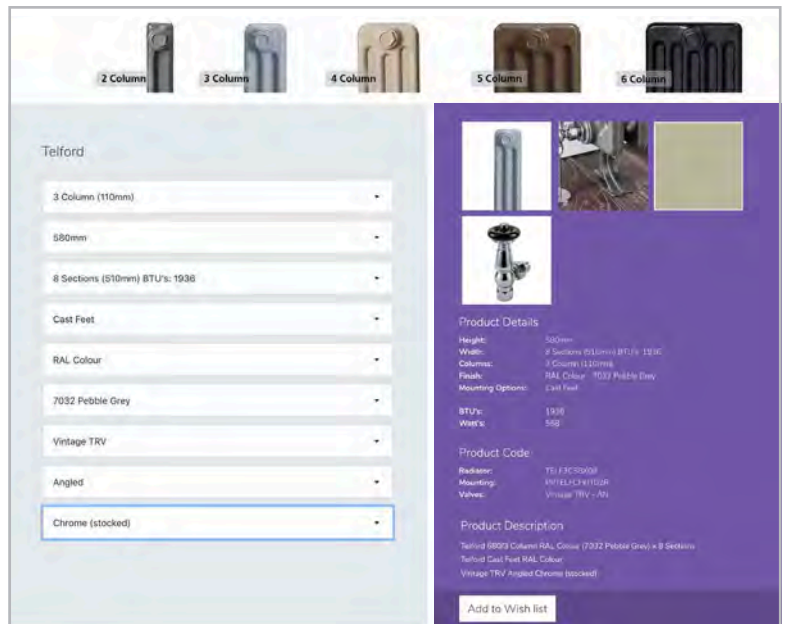
SAVE UP TO £36
WHEN YOU BUY OUR **CHROME VINTAGE TRV KIT** WITH ANY **CAST IRON ORDER*** PLEASE QUOTE **PROMOV2** AT TIME OF ORDER

*Saving based on the value of individual items when bought separately. Order any of our selected valves and matching pipe covers at the same time as your radiator.

Choose your radiator using our online radiator builder

Once you know your outputs use our **online radiator builder** to select the best solution for your room. It will take you through the process quickly and easily and allows you to save your ideas to your own Wish List. Go to our website www.theradiatorcompany.co.uk

It is vital to know the correct heat output you need to keep your room warm, use our online Heat Output Calculator to get a guide to your requirements which you can then check with your installer.



Once you know your outputs you can also use the brochure to specify your radiator by following these steps (or call our Customer Services team on 01342 302250 who will help you size your radiator)

- Note the space you have in mind for the radiator(s) you need; vertical or horizontal, length, height & depth
- Select a column option and height that fits your space; Calculate the number of sections you need by dividing the required BTU (Watt) output with the output per section; e.g 1913 BTUs divided by 328' = 6 sections, based on 4 column, 580mm high sections (always round up to the next whole number of sections)
- If using that section size doesn't work in the space available, try a different column option or if possible a different height
- Once you have calculated the best number and size of section, select the best mounting option and kit; footed end section, cast feet or wall brackets. For the Telford you have the option of footed ends, cast feet or wall brackets. Ledbury is available with footed ends as standard, wall brackets are available on request. Uxbridge, Aston, Trieste and Linton ranges are only available with footed ends.
- Your cast iron radiator can be painted in a selection of the most popular colours from the RAL range, special finishes, in a polished or burnished finished (Trieste) or a lacquered finish. Please specify your chosen colour at time of order. Please note: as a result of the casting process, cast iron radiators have a rough surface finish with small imperfections which will show after the painting process.
- Work out the price of your radiator; e.g *Telford 4 column, 580 high, 6 section, RAL 7044 - Silk Grey = £86.35 x 6 = £518.10 + Cast feet Kit (2) = £91.20 - Total = £609.30*
- Place your order with your local Merchant using the sectional model code x No. of sections needed, noting the mounting option and the name and number of colour you have chosen; e.g *TELF4C58 x 6 sections, RAL 7044 Silk Grey with cast feet*
- If you have chosen a colour make sure you list the colour number and name

All prices and outputs are given per section in the tables on pages 187-193. Price per section includes plugs, bushes and diverter. Mounting options must be selected separately, these will include the air vent and appropriate number of wall ties.

Uxbridge shown on pages 72-73



Cast Iron; 4 column footed ends as standard
CE approved & certified to BS EN442

Supplied in a standard primer, ready to be painted in your desired finish
26 RAL colours (shown on page 215) and a Polished finish.
Please call 01342 302250 for a RAL chart

Primer finish: up to 2 weeks
26 RAL Colours: up to 3 weeks, Polished: up to 5 weeks
(please allow up to 5 weeks for orders of more than 10 radiators in colours)



SAVE UP TO £36 WHEN YOU BUY OUR VINTAGE TRV KIT WITH ANY CAST IRON ORDER*
QUOTING **PROMOV2** AT TIME OF ORDER
Chrome only



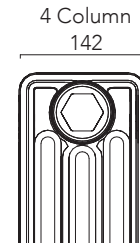
Farrow & Ball® finishes available in all sizes, see page 194 for full details

® Registered trademark of Farrow & Ball Holdings Limited

Uxbridge Sectional options with footed end sections as standard

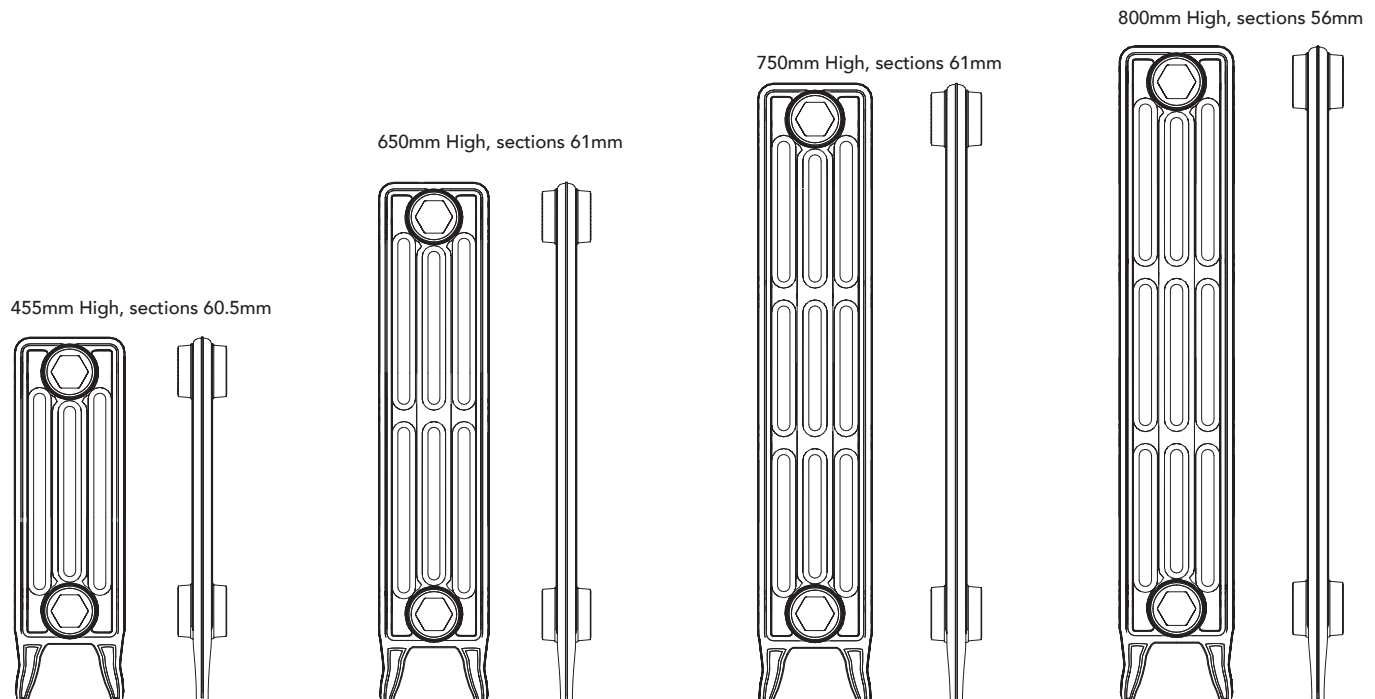
Build your radiator to fit your requirements using individual sections shown below, visit page 186 to help you size your radiator.
For more than 40 sections please contact our Customer Services team 01342 302250.

Height A (mm)	Width B (mm)	Model	Watts Δt 50°C	Btu's Δt 50°C	Primer Ex VAT	Primer Inc VAT	RAL Colour Ex VAT	RAL Colour Inc VAT	Polished Ex VAT	Polished Inc VAT
DELIVERY TIMES										
			UP TO 2 WEEKS		UP TO 3 WEEKS		UP TO 5 WEEKS			
455	60.5	UXBR4C45	53	181	£34.41	£41.29	£46.45	£55.74	£97.16	£116.59
650	61	UXBR4C65	76	259	£37.40	£44.88	£50.49	£60.59	£100.38	£120.46
750	61	UXBR4C75	94	321	£40.39	£48.47	£54.53	£65.44	£103.59	£124.31
800	56	UXBR4C80	109	372	£44.88	£53.86	£60.59	£72.71	£108.41	£130.09



Please specify your finish at time of order, lead times vary for different finishes so please see top of this page for more information on delivery.

Uxbridge	Pipe centres left to right	Pipe centres from wall
455mm High	60.5 x number of sections + 32mm bushes + valves	105mm-119mm
650mm, 750mm High	61 x number of sections + 32mm bushes + valves	105mm-119mm
800mm High	56 x number of sections + 32mm bushes + valves	105mm-119mm



*Saving based on the value of individual items when bought separately. Order any of our selected valves and matching pipe covers at the same time as your radiator.