

Echo 



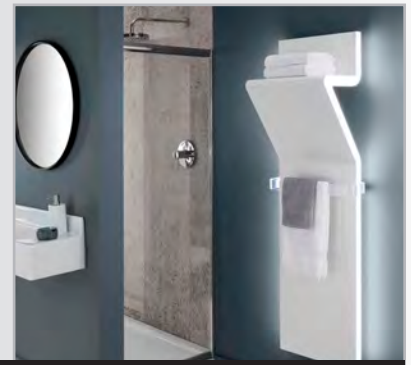
1695mm x 600mm in White RAL 9016 with White Cylinder valves

Tratto shown on page 94 NEW ELECTRIC

High quality Italian design & manufacture, Hydronic & Electric models Steel with clear perspective towel bar, LED version supplied with a 12v transformer. CE approved & certified to BS EN442

Hydronic models: White RAL 9016 standard, 188 RAL Colours & 32 Special Finishes .Please call **01342 302250** for a RAL or Special Finish chart
Electric models: White RAL 9016 only

Made to Order sizes & colours: Up to 5 weeks for hydronic
5 weeks for Electric



SAVE £40 WHEN YOU BUY OUR CYLINDER KIT WITH ANY TOWEL RAIL ORDER* QUOTE **PROMOV3** AT TIME OF ORDER

Available in White or Chrome

Made to order options - Hydronic

Height (mm)	Width (mm)	Model	Watts Δt50°C	Btu's Δt 50°C	White Ex VAT	White Inc VAT	Colours Ex VAT	Colours Inc VAT
DELIVERY TIMES					UP TO 5 WEEKS		UP TO 5 WEEKS	
1200	450	TRAT1245	555	1894	£2,095.00	£2,514.00	£2,619.00	£3,142.80
1600	450	TRAT1645	690	2354	£2,455.00	£2,946.00	£3,069.00	£3,682.80

Made to order options - Hydronic LED

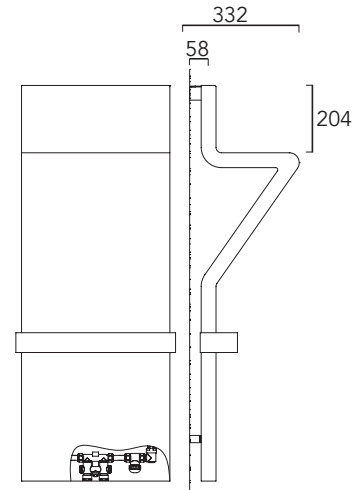
Height (mm)	Width (mm)	Model	Watts Δt50°C	Btu's Δt 50°C	White Ex VAT	White Inc VAT	Colours Ex VAT	Colours Inc VAT
DELIVERY TIMES					UP TO 5 WEEKS		UP TO 5 WEEKS	
1200	450	TRALED1245	555	1894	£2,988.00	£3,585.60	£3,512.00	£4,214.40
1600	450	TRALED1645	690	2354	£3,348.00	£4,017.60	£3,962.00	£4,754.40

Made to order options - Electric

Height (mm)	Width (mm)	Model	Watts Δt 50°C	White Ex VAT	White Inc VAT
DELIVERY TIMES			UP TO 5 WEEKS		
1200	450	TRAT1245EW	430	£2,195.00	£2,634.00
1600	450	TRAT1645EW	550	£2,538.00	£3,045.60

Made to order options - Electric LED

Height (mm)	Width (mm)	Model	Watts Δt 50°C	White Ex VAT	White Inc VAT
DELIVERY TIMES			UP TO 5 WEEKS		
1200	450	TRALED1245EW	430	£3,088.00	£3,705.60
1600	450	TRALED1645EW	550	£3,431.00	£4,117.20



*Saving based on the value of individual items when bought separately. Order any of our selected valves & matching pipe covers at the same time as your radiator; PROMOV3W (white), PROMOV3C (chrome).

Echo shown on page 95 NEW ELECTRIC

Steel; Side loading towel rail, 50mm x 10mm flat tubes
Can be installed left or right handed
CE approved & certified to BS EN442

White RAL 9016 as standard, 188 RAL Colours and 32 Special Finishes
Please call **01342 302250** for a RAL or Special Finish chart

Stock White RAL 9016: 48-72 Hours

Made to Order sizes & colours: Up to 7 weeks White & White Electric,
Up to 8 weeks Colours



SAVE £40 WHEN YOU BUY OUR CYLINDER KIT WITH ANY TOWEL RAIL ORDER* QUOTE **PROMOV3** AT TIME OF ORDER

Available in White or Chrome

Stock options White RAL 9016- Hydronic

Height (mm)	Width (mm)	Model	Watts Δt 50°C	Btu's Δt 50°C	White Ex VAT	White Inc VAT	Colours Ex VAT	Colours Inc VAT
DELIVERY TIMES					48-72 HOURS		UP TO 8 WEEKS	
850	500	ECHO8550	561	1914	£446.00	£535.20	£558.00	£669.60
1110	500	ECHO1150	764	2607	£554.00	£664.80	£693.00	£831.60

Made to order options - Hydronic

Height (mm)	Width (mm)	Model	Watts Δt 50°C	Btu's Δt 50°C	White Ex VAT	White Inc VAT	Colours Ex VAT	Colours Inc VAT
DELIVERY TIMES					UP TO 7 WEEKS		UP TO 8 WEEKS	
655	500	ECHO6550	450	1535	£375.00	£450.00	£469.00	£562.80
	600	ECHO6560	506	1726	£390.00	£468.00	£488.00	£585.60
850	600	ECHO8560	629	2146	£466.00	£559.20	£583.00	£699.60
1110	600	ECHO1160	857	2924	£582.00	£698.40	£728.00	£873.60
1695	500	ECHO1650	1167	3982	£781.00	£937.20	£976.00	£1,171.20
	600	ECHO1660	1310	4470	£823.00	£987.60	£1,029.00	£1,234.80

*Saving based on the value of individual items when bought separately. Order any of our selected valves & matching pipe covers at the same time as your radiator; PROMOV3W (white), PROMOV3C (chrome).

Made to order options - Electric

Height (mm)	Width (mm)	Model	Watts Δt 50°C	White Ex VAT	White Inc VAT
DELIVERY TIMES			UP TO 7 WEEKS		
850	500	ECHO8550EW	585	£575.00	£690.00
	600	ECHO8560EW	655	£594.00	£712.80
1110	500	ECHO1150EW	764	£678.00	£813.60
	600	ECHO1160EW	857	£704.00	£844.80
1695	500	ECHO1650EW	1167	£894.00	£1,072.80
	600	ECHO1660EW	1310	£934.00	£1,120.80

Supplied as standard with a MOA Element

- 5 heat settings from 30°C to 60°C regulating internal radiator temperature, denoted by 5 LEDs. No Timer.
- Compatible with external Timer as remembers settings when turned off
- 55mm diameter clock shaped face.
- 4x Buttons: Temperature +/-, Dryer, Power. Frost & overheating protection.
- Straight cable, no plug. IPx5. Class 1. Guarantee - 2 years.