

# Poll



Dual Fuel options see pages 114-115

1480mm x 600mm shown in RAL 9016 with 3 Style Corner valves.

# Poll shown on page 99

Steel; 30mm square collectors, 22mm round cross tubes  
Hydronic & Electric models  
CE approved & certified to BS EN442



White RAL 9016 as standard, 188 RAL Colours and 32 Special Finishes  
Please call **01342 302250** for a RAL or Special Finish chart

## Stock White RAL 9016 & Chrome: 48-72 Hours

Made to Order sizes & colours: Up to 7 weeks: White Electric,  
Up to 8 weeks: Colours, Up to 9 weeks: Chrome Electric



**SAVE £40** WHEN YOU BUY OUR **CYLINDER KIT** WITH ANY TOWEL RAIL ORDER\*  
QUOTE **PROMOV3** AT TIME OF ORDER

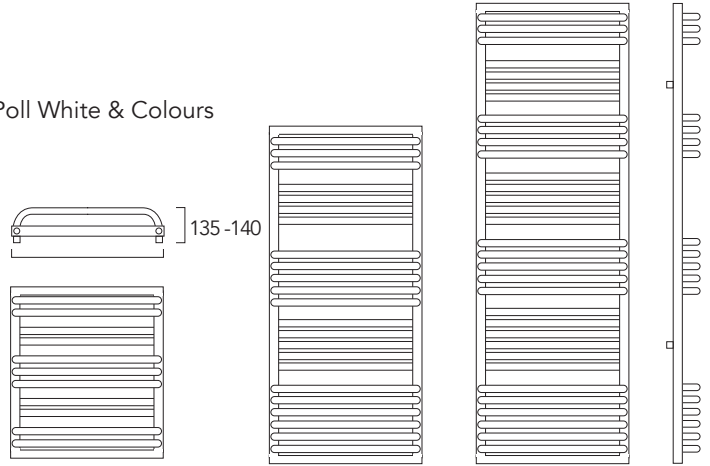
Available in White or Chrome

Poll	Pipe centres left to right	Pipe centres from wall
Poll	width - 30mm	57mm to 65mm

## Stock options White RAL 9016

Height (mm)	Width (mm)	Model	Watts Δt 50°C	Btu's Δt 50°C	White Ex VAT	White Inc VAT	Colour Ex VAT	Colour Inc VAT
DELIVERY TIMES					48-72 HOURS		UP TO 8 WEEKS	
530	450	POLL5345	302	1030	£190.00	£228.00	£238.00	£285.60
	500	POLL5350	336	1146	£195.00	£234.00	£244.00	£292.80
	600	POLL5360	403	1375	£203.00	£243.60	£254.00	£304.80
	700	POLL5370	459	1566	£207.00	£248.40	£259.00	£310.80
1055	450	POLL1045	605	2064	£242.00	£290.40	£303.00	£363.60
	500	POLL1050	676	2307	£249.00	£298.80	£311.00	£373.20
	600	POLL1060	802	2736	£264.00	£316.80	£330.00	£396.00
	700	POLL1070	905	3088	£277.00	£332.40	£346.00	£415.20
1480	500	POLL1450	941	3211	£341.00	£409.20	£426.00	£511.20
	600	POLL1460	1086	3705	£349.00	£418.80	£436.00	£523.20
	700	POLL1470	1260	4299	£364.00	£436.80	£455.00	£546.00
	800	POLL1480	1439	4910	£375.00	£450.00	£469.00	£562.80

## Poll White & Colours

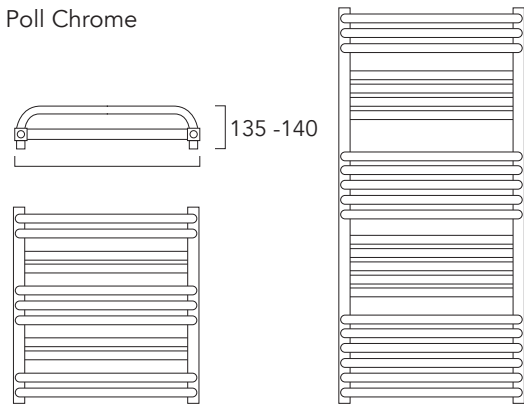


Poll Chrome	Pipe centres left to right	Pipe centres from wall
Poll Chrome	width - 30mm	57mm to 65mm

## Stock options Chrome

Height (mm)	Width (mm)	Model	Watts Δt 50°C	Btu's Δt 50°C	Chrome Ex VAT	Chrome Inc VAT
DELIVERY TIMES			48-72 HOURS			
530	450	POLL5345C	149	508	£450.00	£540.00
	600	POLL5360C	190	648	£486.00	£583.20
780	500	POLL7850C	388	1324	£708.00	£849.60
	600	POLL7860C	452	1542	£763.00	£915.60
1055	450	POLL1045C	335	1143	£720.00	£864.00
	700	POLL1070C	486	1658	£843.00	£1,011.60
1180	500	POLL1150C	631	2153	£880.00	£1,056.00
	600	POLL1160C	725	2474	£946.00	£1,135.20

## Poll Chrome



The Poll Chrome is different to the Poll as it does not have a top and bottom collector; this is so it can be finished in a deep and lustrous chrome.

## Made to order options - White Electric

Height (mm)	Width (mm)	Model	Watts Δt 50°C	White Ex VAT	White Inc VAT
DELIVERY TIMES			UP TO 7 WEEKS		
780	500	POLL7850EW	400	£260.00	£312.00
	600	POLL7860EW	400	£276.00	£331.20
1180	500	POLL1150EW	600	£328.00	£393.60
	600	POLL1160EW	800	£352.00	£422.40
1580	500	POLL1550EW	800	£385.00	£462.00
	600	POLL1560EW	1000	£432.00	£518.40

## Made to order options - Chrome Electric

Height (mm)	Width (mm)	Model	Watts Δt 50°C	Chrome Ex VAT	Chrome Inc VAT
DELIVERY TIMES			UP TO 9 WEEKS		
780	500	POLL7850EC	300	£707.00	£848.40
	600	POLL7860EC	300	£754.00	£904.80
1180	500	POLL1150EC	400	£862.00	£1,034.40
	600	POLL1160EC	600	£925.00	£1,110.00
1580	500	POLL1550EC	600	£1,093.00	£1,311.60
	600	POLL1560EC	800	£1,146.00	£1,375.20

## Poll Electric models supplied with a MOA Element

- 5 heat settings from 30°C to 60°C regulating the internal radiator temperature, denoted by 5 LEDs.
- No Timer.
- Compatible with external Timer as remembers settings when turned off
- 55mm diameter clock shaped face.
- 4x Buttons: Temperature +/-, Dryer, Power.
- Frost & overheating protection.
- Straight cable, no plug. IPx5. Class 1.
- Guarantee - 2 years.

\*Saving based on the value of individual items when bought separately. Order any of our selected valves & matching pipe covers at the same time as your radiator; PROMOV3W (white), PROMOV3C (chrome).