

## Technical Specifications

Materials	Cast Iron
Connections	½" flow and return.
Test pressure	13 Bar
Testing authority	EN442
Maximum operating pressure	10 Bar
Maximum working temperature	95 °C
Packaging	Bubble wrapped in cardboard box on a pallet

PLEASE NOTE: Systems using micro bore pipework must have adequate pressure and flow rates for the number and style of radiators on the system

## Terms & Conditions

All products must be inspected once removed from the packaging and The Radiator Company notified within 28 days of delivery of any scratches, blemishes or other damage. The Radiator Company will then replace the radiator.

Imperfect radiators should therefore not be fitted and The Radiator Company will not accept responsibility for replacement of scratched or damaged radiators once they have been fitted. This includes any consequential loss or cost of fitting.

If The Radiator Company are not notified within 28 days of the date on the signed delivery note then it will be deemed that The Radiator Company have fully complied with its obligations and claims will not be considered.

Failure to comply with any of the above may invalidate any claims.

We recommend that after you check the product on delivery that it is stored in its packaging to prevent damage prior to installation. The Radiator Company cannot accept responsibility for items damaged after delivery.

## Guarantees & Liabilities

As we are not the manufacturers of this product we will take all reasonable endeavours to make over to you the benefit of any warranty or guarantee given by the manufacturer, which is usually five years on most of our range. (Copies of specific guarantees for any of our products are available on request).

The guarantees in all cases are subject to the products being installed in accordance with British and or European standards as well as these fitting instructions. The guarantees in all cases are restricted to the free of charge replacement or repair of the failed product only. Our liability will under no circumstances extend beyond the repair or replacement of the product supplied by us. Claims for either labour in replacement or damage to property are not admissible. Any goods that are returned, in the event of a problem, will belong to The Radiator Company.

## Fittings Instructions



Please read these instructions and terms and conditions carefully prior to installation. Failure to do so may invalidate the warranty

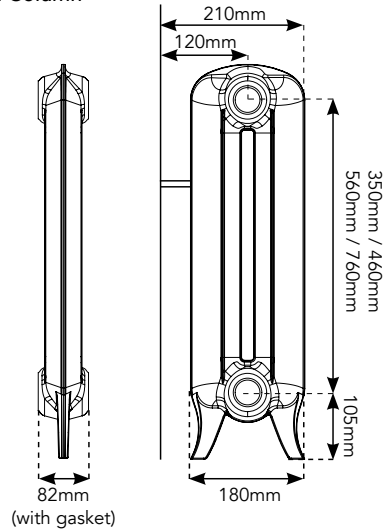
The Radiator Company  
Units 13 - 14 Charlwoods Road  
East Grinstead  
West Sussex  
RH19 2HU



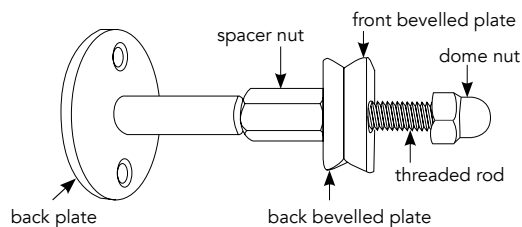
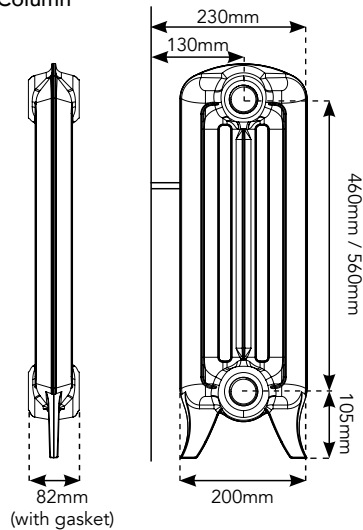
LINT\_IR\_1.0

## Diagrams of Linton

Linton 2 Column



Linton 3 Column



## Pipe Centres

### Pipe centres left to right

82mm (with gasket) x no. of sections + 32mm (bushes) + valves

### Pipe centres from wall

2 Column: 120mm

3 Column: 130mm

### Depth from wall

2 Column: 210mm

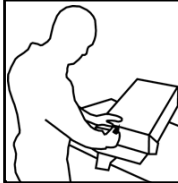
3 Column: 230mm

## 1 Inspect

The Radiator Company prides itself on selecting products from manufacturers who exercise tight quality control measures. We only select models with excellent standards of welding and brazing, as well as high quality finishes. All of our products are well packaged and should reach you in perfect condition. Just in case however, we offer a 10 year no quibble guarantee for all cast iron radiators.

Please carefully unpack and inspect this radiator and all fittings. The Radiator Company must be notified of any shortages or damage within 28 days of delivery. For further information please see terms and conditions on back page.

**PLEASE NOTE:** after manufacture these radiators are pressure tested and cleaned inside with water, as a result they may, therefore, contain a small amount of residual water which may be subject to discoloration. This will not adversely affect the performance of the radiator once installed. If handling on a finished floor ensure that adequate protective material is in place before working on the radiators.



## 2 Contents

For radiators up to 10 sections you should have

- 1 Radiator
- 3 Bushes (Gaskets are fitted)
- 1 Blanking Bush
- 1 Air vent
- 2 Wall Ties

For radiators over 10 sections you should have

- 1 Radiator
- 3 Bushes (Gaskets are fitted)
- 1 Blanking Bush
- 1 Air vent
- 1 Joining key, if requested
- 2 Nipples per join
- 2 Gaskets per join
- 2 Wall Ties - up to 20 sections
- 3 Wall Ties for 21-39 odd sections
- 4 Wall Ties for 22 - 40 even sections

## 3 Joining Sections If Required

If you are joining sections, please see the separate instructions provided.

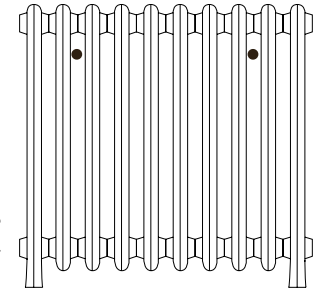
## 4 Fitting Bushes

### IMPORTANT NOTE:

Cast Iron radiators have specific left and right hand threaded bushes and these can be easily damaged if forced or incorrectly fitted (this will inevitably cause leaks). **Bushes require a dry fit connection only; you must not use any Compound materials (e.g. Jet Blue) or Plumbers Hemp.** If you choose you may use up to 4 turns of PTFE tape to help seal the threads (the tape should be applied in the direction of the thread and no more than this amount should be used as this may cause leaks to occur).

## 5 Marking & Fixing Wall Ties

1. **Loosely attach** the wall ties to the radiator; mark through with a pencil for the drill holes onto the wall.



Typically, for even distribution and aesthetics we suggest positioning the wall ties two sections in from the side.

• = typical fixing positions

2. Remove the wall ties from the radiator and set the radiator to the side.
3. Using the previously made markings on the wall, fix the back plates of the wall ties to the wall using a suitable drill bit, wall plugs and screws.
4. With the backplates fixed to the wall, screw in the threaded rod, spacer nut and the back bevelled plate and carefully move the radiator into place, taking care **not to scratch the radiator on the wall ties**.
5. Screw the front bevelled plate into their final position from the front of the radiator and secure with the dome nut.

## 6 Commission

In accordance with Part L1 2006 of the Building Regulations and BS7593:1992 code of practice for the treatment of hot water and central heating systems, we strongly recommend flushing the heating system post installation of new radiators and then adding the correct quantity and type of inhibitor for use with your radiator and system to prevent corrosion. Damage caused to systems not protected by a suitable inhibitor will not be covered by manufacturer's guarantee.