

# Vecchia

The Vecchia is a beautifully designed ornate cast iron radiator and is available in three sizes with footed end sections.

BOE connections (Bottom Opposite Ends) as standard, but can be specified as TBSE (Top and Bottom Same End) at time of order.



Vecchia 8 section 838 x 615, shown with Buckingham TRV valves.

## Product Information

### Technical Details & Prices page 142

3 models;  
1 height & 3 widths.  
Outputs from 2946 to 4907 Btu's

## Colours

Available in grey RAL 6006 only.

Please call **01342 302250** for colour charts.

## Delivery

### 3 - 5 working days

Please see technical section on page 140 before ordering.

# Ordering your cast iron radiator



All stocked radiators have prices listed in purple and will be delivered in 3 - 5 working days.

shown on pages 63 - 67

- Prices and outputs for Bianco, Ludlow and Trieste are given per section, the Vecchia is shown in output per radiator.
- Price per section includes plugs, bushes & air vent.
- Please specify mounting option when you place your order.
- Wall ties are supplied as standard with Bianco and Ludlow radiators.

These simple steps will help you choose a Cast Iron Radiator that matches your requirements.

## 1 – Calculate the output & number of radiators

First find out the BTU requirement for your room, for a detailed explanation please see pages 160 - 161 or visit our website at [www.theradiatorcompany.co.uk](http://www.theradiatorcompany.co.uk). Then identify the size of radiators required to provide enough the required heat; you may need more than one radiator to achieve this.

## 2 – Choose the number of Columns

Ludlow and Bianco Cast Iron radiators are available in a choice of 4 or 6 column depths, Trieste in 2 or 3 column. More columns equal greater depth, bigger water content and therefore a higher output. The Vecchia is only available in a 3 column option.

## 3 – Choose a Height

Decide on a section height that matches the size you require, allowing an additional 100mm for the Cast Foot or Paw Foot and 60mm for Footed End Sections.

## 4 – Calculate the number of sections you require

Listed next to each section height under 'BTUs/Watts' will be the output each section gives. Divide your required output by this number to find the total number of sections needed to match the output; e.g. if you have chosen a Ludlow 4 column 598mm high then 7115 BTUs divided by 317 BTUs per section = 23 sections. If this produces a radiator that is too wide select either a taller section or more columns; e.g. Ludlow 4 column 900 high= 7115 divided by 474 BTUs = 15 sections.

## 5 – Choose the mounting option

Cast iron Radiators are very heavy and we recommend they are floor mounted; if you wish to hang cast iron radiators on the wall you must ensure it is structurally sound enough to take the weight.

- Ludlow; available with footed end sections as standard, cast feet, paw feet or wall brackets.
- Bianco; available with standard cast feet as standard, paw feet or wall brackets.
- Vecchia; supplied with footed end sections only.
- Trieste; supplied with footed end sections only.

A suitable number of wall ties will be supplied with all mounting options on Ludlow and Bianco.

## 6 - Place your order

Please note: Cast Iron radiators come assembled up to a maximum of 10 sections or 100kg in weight, larger radiators must be joined on site following manufacturer's instructions. Joining keys are available for a deposit, refundable on return.

All Cast Iron radiators come supplied as a finished radiator with ½" B.O.E. (Bottom Opposite End) connections as standard.

Please call us on **01342 302250** if you need any further information or help with specifying your Cast Iron radiator.

## Bianco & Ludlow Mounting Options

We recommend the following mounting options are used per section;

3 - 15 Sections	16 - 25 Sections	26 - 40 Sections
2 Feet/Footed Sections	3 Feet/Footed Sections	4 Feet/Footed Sections
3 Wall Brackets	4 Wall Brackets	6 Wall Brackets
2 Wall Ties	3 Wall Ties	4 Wall Ties

For more than 40 sections please talk to our Customer Services team.

If you require a different number of Feet, Wall Brackets or Wall Ties, please specify at the time of order; otherwise we will ensure that we price and supply as above.

Wall Ties are included in the price and supplied as standard for all orders.

Please specify at time of order.

Model	Description	Price Ex VAT	Price Inc VAT
PPCIFM01	Cast foot unpainted	£15.00	£18.00
PPCIFM01W	Cast foot white	£20.00	£24.00
PPTPCIFM	Cast Iron Paw foot unpainted	£20.00	£24.00
PPSSWB	Wall brackets white	£6.00	£7.20
PPCIWT01	Wall ties white	£4.00	£4.80
PPASMKEY	Joining Key 1" x 300mm/600mm/900mm	£49.00	£58.80

Joining Keys & instructions will be provided for all orders over 10 sections and the Joining Key is refundable on return.

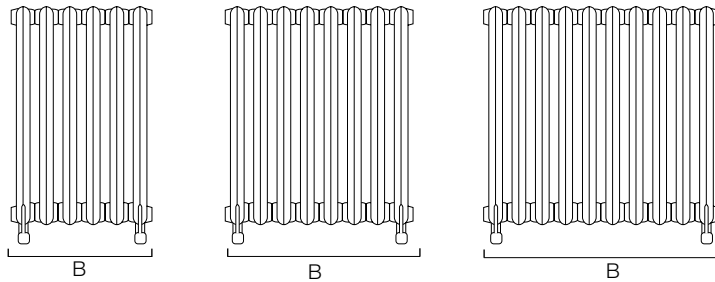
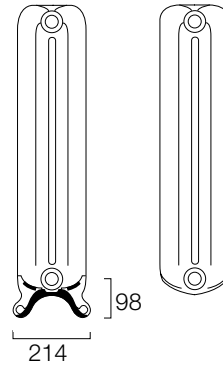
# Vecchia shown on page 66



All stocked radiators have prices listed in purple and will be delivered in 3 - 5 working days.

Model	Height A (mm)	Width B (mm)	Watts Δt 50°C	Btu's Δt 50°C	Price Ex VAT	Price Inc VAT
VECCB8346	838	461	863	2946	£886.00	£1,063.20
VECCB8361	838	615	1151	3928	£1,146.00	£1,375.20
VECCB8376	838	769	1438	4907	£1,407.00	£1,688.40

Vecchia	Pipe centres left to right	Pipe centres from wall
Vecchia	width + valves	As a free standing radiator, pipe centres from wall will depend on final position



Vecchia Mounting Options;  
The Vecchia is a free standing radiator and is supplied with footed end sections only.

### Important Note:

The Vecchia is not a sectional product but is available in three popular sizes in a dark grey colour only. Vecchias are now supplied with 1/2" B.O.E. (Bottom Opposite End) connections as standard. T.B.S.E (Top Bottom Same End) connections are available as an option; please specify at time of order.

# Trieste shown on page 67



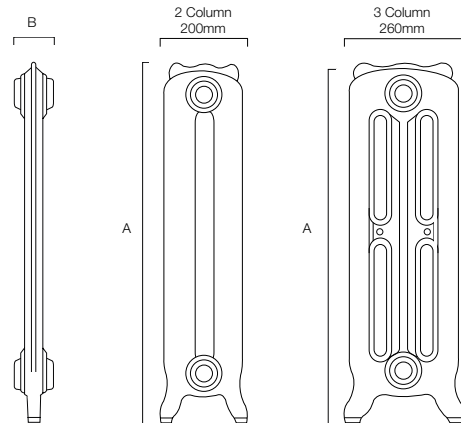
For help choosing the right size Trieste please turn to page 140.

### 2 Column

Model	Height A (mm)	Width B (mm)	Watts Δt 50°C	Btu's Δt 50°C	Grey Primer Ex VAT	Grey Primer Inc VAT
TRIE2C66	661	76	130	444	£61.00	£73.20
TRIE2C76	760	76	143	488	£67.00	£80.40
TRIE2C95	955	76	168	573	£89.00	£106.80

### 3 Column

Model	Height A (mm)	Width B (mm)	Watts Δt 50°C	Btu's Δt 50°C	Grey Primer Ex VAT	Grey Primer Inc VAT
TRIE3C76	768	78	189	645	£70.00	£84.00
TRIE3C96	961	78	221	754	£92.00	£110.40



Trieste	Pipe centres left to right	Pipe centres from wall
2 Column	76 x number of sections + 24mm bushes + valves	150mm - 170mm
3 Column	78 x number of sections + 24mm bushes + valves	180mm - 200mm

Trieste Mounting Options;  
The Trieste is a free standing radiator and is supplied with footed end sections only.