

Trench

The Trench is a practical alternative to underfloor heating, requiring no wall space and giving excellent heat output.



Trench shown with Beech grille.

Choice of grilles in either painted aluminium or various woods. For samples please call us on 01342 302250.

- White Aluminium
- Black Aluminium
- Bronze Aluminium
- Silver Aluminium
- Ash Untreated
- Ash Varnished
- Beech Untreated
- Beech Varnished
- Oak Untreated
- Oak Varnished
- Merbau Untreated
- Merbau Varnished



Trench shown with Oak grille.

Product Information

Technical Details & Prices pages 158-159

Over 80 models; 3 depths and 9 lengths
Outputs from 1331 to 17826 Btu's.

Colours

Grille can be of various woods or coloured aluminium. Please choose from the available list on the left.

Delivery

4 weeks.

Trench shown on page 90

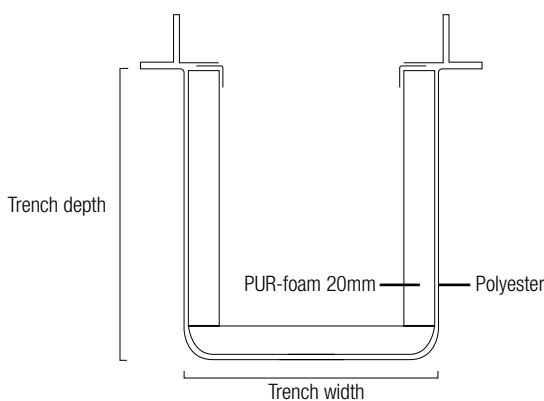


Trench 300mm Depth

Model	Length A (mm)	Width B (mm)	Watts Δt 50°C	Btu's Δt 50°C	Price Ex VAT	Price Inc VAT
TREN3D8028	800	280	390	1331	£473.00	£567.60
TREN3D8036	800	360	581	1983	£562.00	£674.40
TREN3D8046	800	460	755	2577	£663.00	£795.60
TREN3D1028	1000	280	546	1863	£567.00	£680.40
TREN3D1036	1000	360	815	2782	£674.00	£808.80
TREN3D1046	1000	460	1061	3621	£803.00	£963.60
TREN3D1228	1200	280	700	2389	£662.00	£794.40
TREN3D1236	1200	360	1045	3567	£791.00	£949.20
TREN3D1246	1200	460	1370	4676	£935.00	£1,122.00
TREN3D1428	1400	280	859	2932	£731.00	£877.20
TREN3D1436	1400	360	1285	4386	£903.00	£1,083.60
TREN3D1446	1400	460	1687	5758	£1,076.00	£1,291.20
TREN3D1628	1600	280	1030	3515	£849.00	£1,018.80
TREN3D1636	1600	360	1525	5205	£1,020.00	£1,224.00
TREN3D1646	1600	460	2027	6918	£1,215.00	£1,458.00
TREN3D1828	1800	280	1200	4096	£945.00	£1,134.00
TREN3D1836	1800	360	1780	6075	£1,131.00	£1,357.20
TREN3D1846	1800	460	2353	8031	£1,351.00	£1,621.20
TREN3D2028	2000	280	1370	4676	£1,043.00	£1,251.60
TREN3D2036	2000	360	2043	6973	£1,250.00	£1,500.00
TREN3D2046	2000	460	2693	9191	£1,485.00	£1,782.00
TREN3D2228	2200	280	1548	5283	£1,136.00	£1,363.20
TREN3D2236	2200	360	2306	7870	£1,364.00	£1,636.80
TREN3D2246	2200	460	3049	10406	£1,624.00	£1,948.80
TREN3D2428	2400	280	1734	5918	£1,233.00	£1,479.60
TREN3D2436	2400	360	2569	8768	£1,481.00	£1,777.20
TREN3D2446	2400	460	3405	11621	£1,762.00	£2,114.40

Please note.

Trench units are sold with all internal components and your choice of wood or metal grille.



This is the standard Trench profile suited to new builds. The frame protrudes from the sides to allow screed for flooring to be laid over the frame. The Trench frame is recessed 30 x 30 x 3mm for wood grilles and 25 x 35 x 3mm for aluminium grilles.

Please Note:

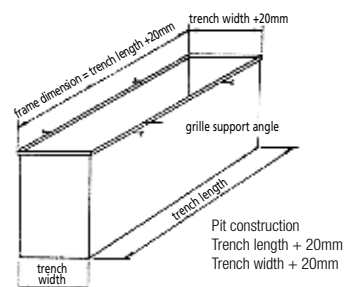
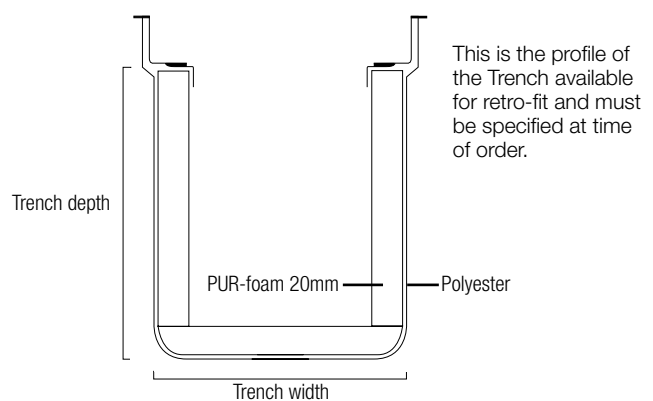
Standard new build trench units will be made of Poly Ethylene, retro fit models will be made of fibreglass.

Trench 520mm Depth

Model	Length A (mm)	Width B (mm)	Watts Δt 50°C	Btu's Δt 50°C	Price Ex VAT	Price Inc VAT
TREN5D8028	800	280	489	1669	£504.00	£604.80
TREN5D8036	800	360	727	2481	£597.00	£716.40
TREN5D8046	800	460	945	3225	£701.00	£841.20
TREN5D1028	1000	280	683	2331	£608.00	£729.60
TREN5D1036	1000	360	1017	3471	£717.00	£860.40
TREN5D1046	1000	460	1328	4532	£844.00	£1,012.80
TREN5D1228	1200	280	875	2986	£691.00	£829.20
TREN5D1236	1200	360	1306	4457	£835.00	£1,002.00
TREN5D1246	1200	460	1713	5846	£981.00	£1,177.20
TREN5D1428	1400	280	1074	3666	£783.00	£939.60
TREN5D1436	1400	360	1606	5481	£957.00	£1,148.40
TREN5D1446	1400	460	2109	7198	£1,126.00	£1,351.20
TREN5D1628	1600	280	1287	4393	£906.00	£1,087.20
TREN5D1636	1600	360	1906	6505	£1,074.00	£1,288.80
TREN5D1646	1600	460	2534	8649	£1,267.00	£1,520.40
TREN5D1828	1800	280	1500	5120	£1,007.00	£1,208.40
TREN5D1836	1800	360	2225	7594	£1,194.00	£1,432.80
TREN5D1846	1800	460	2941	10038	£1,410.00	£1,692.00
TREN5D2028	2000	280	1713	5846	£1,110.00	£1,332.00
TREN5D2036	2000	360	2554	8717	£1,314.00	£1,576.80
TREN5D2046	2000	460	3366	11488	£1,545.00	£1,854.00
TREN5D2228	2200	280	1935	6604	£1,208.00	£1,449.60
TREN5D2236	2200	360	2883	9840	£1,436.00	£1,723.20
TREN5D2246	2200	460	3811	13007	£1,692.00	£2,030.40
TREN5D2428	2400	280	2167	7396	£1,349.00	£1,618.80
TREN5D2436	2400	360	3211	10959	£1,554.00	£1,864.80
TREN5D2446	2400	460	4256	14526	£1,831.00	£2,197.20

Please note.

Trench units are sold with all internal components and your choice of wood or metal grille.



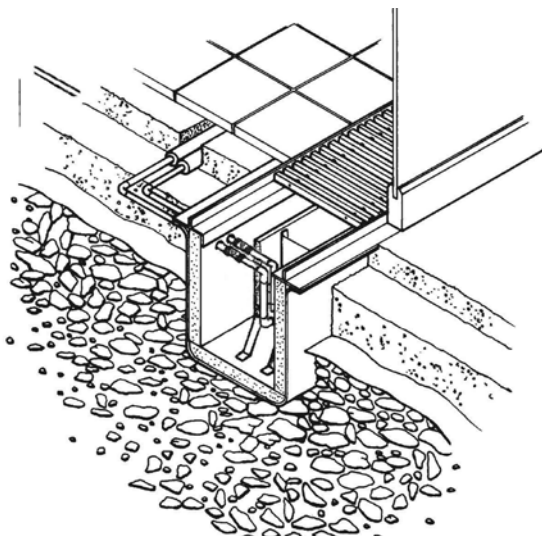


Trench 620mm Depth

Model	Length A (mm)	Width B (mm)	Watts Δt 50°C	Btu's Δt 50°C	Price Ex VAT	Price Inc VAT
TREN6D8028	800	280	537	1833	£573.00	£687.60
TREN6D8036	800	360	793	2707	£677.00	£812.40
TREN6D8046	800	460	1026	3502	£793.00	£951.60
TREN6D1028	1000	280	750	2560	£693.00	£831.60
TREN6D1036	1000	360	1115	3805	£814.00	£976.80
TREN6D1046	1000	460	1453	4959	£952.00	£1,142.40
TREN6D1228	1200	280	967	3300	£802.00	£962.40
TREN6D1236	1200	360	1441	4918	£847.00	£1,016.40
TREN6D1246	1200	460	1886	6437	£1,106.00	£1,327.20
TREN6D1428	1400	280	1190	4061	£920.00	£1,104.00
TREN6D1436	1400	360	1779	6072	£1,080.00	£1,296.00
TREN6D1446	1400	460	2321	7922	£1,267.00	£1,520.40
TREN6D1628	1600	280	1431	4884	£1,033.00	£1,239.60
TREN6D1636	1600	360	2128	7263	£1,216.00	£1,459.20
TREN6D1646	1600	460	2786	9509	£1,429.00	£1,714.80
TREN6D1828	1800	280	1664	5679	£1,146.00	£1,375.20
TREN6D1836	1800	360	2476	8451	£1,349.00	£1,618.80
TREN6D1846	1800	460	3250	11092	£1,590.00	£1,908.00
TREN6D2028	2000	280	1906	6505	£1,264.00	£1,516.80
TREN6D2036	2000	360	2843	9703	£1,486.00	£1,783.20
TREN6D2046	2000	460	3733	12741	£1,740.00	£2,088.00
TREN6D2228	2200	280	2128	7263	£1,377.00	£1,652.40
TREN6D2236	2200	360	3211	10959	£1,624.00	£1,948.80
TREN6D2246	2200	460	4217	14393	£1,915.00	£2,298.00
TREN6D2428	2400	280	2418	8253	£1,493.00	£1,791.60
TREN6D2436	2400	360	3578	12212	£1,760.00	£2,112.00
TREN6D2446	2400	460	4720	16109	£2,059.00	£2,470.80
TREN6D2628	2600	280	2669	9109	£1,610.00	£1,932.00
TREN6D2636	2600	360	3966	13536	£1,893.00	£2,271.60
TREN6D2646	2600	460	5223	17826	£2,223.00	£2,667.60

Please note.

Trench units are sold with all internal components and your choice of wood or metal grille.



This illustration below shows a typical installation. Please note how the pipe work enters the Trench unit just below the frame prior to connection with the convector unit.

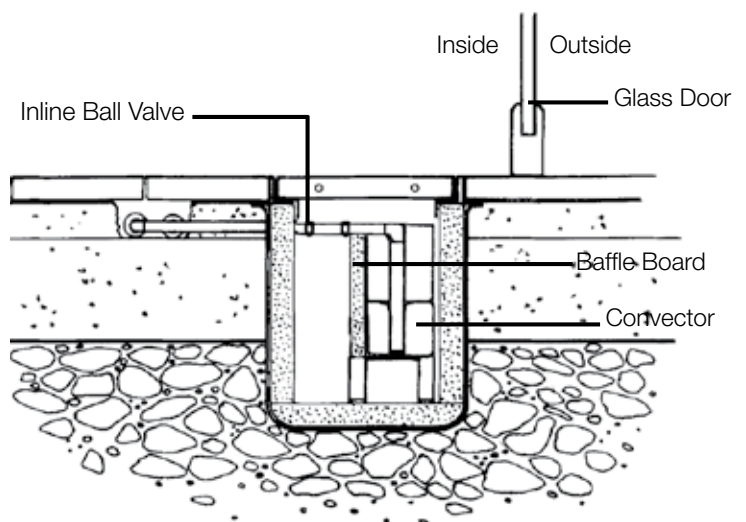
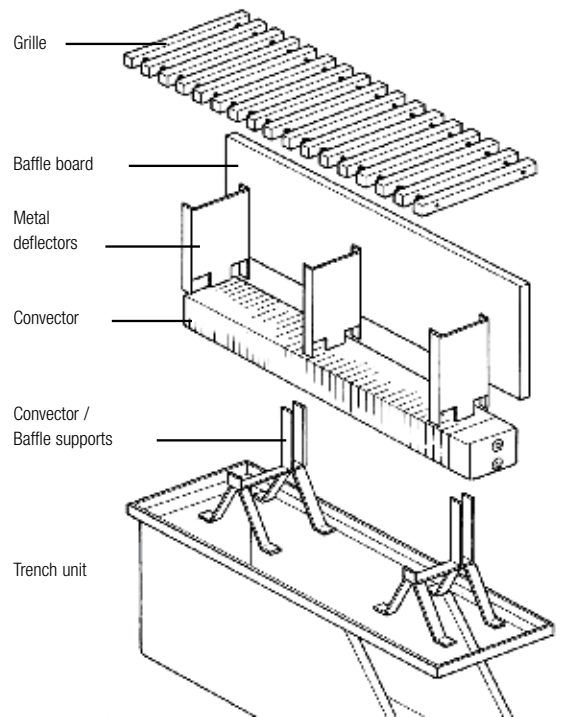
Please Note:

The Trench is available in standard sizes upto 2600mm, larger bespoke sizes can be provided in two formats;

1. For lengths over 2600mm we will normally quote on supplying separate trench units to fill the required dimensions. These are supplied with extended grille rails to allow for a continuous run of the grille covering.

2. A complete Trench unit up to 6000mm can be manufactured however these models will incur additional transport costs due to their size. For full details and to discuss your specific requirements please contact **01342 302250**.

An exploded drawing showing the various components of the Trench



This cross section above shows the correct installation for the Trench unit. Please note the position of the Convector Unit against the outside edge with the baffle board in the centre of the Trench

