

Linton



Walls & Radiator: Farrow & Ball® Manor House Gray® No.265,
Radiator shown: Linton 2 Column 621mm high 10 sections with Nickel Vintage XL TRV's

Overview

2 and 3 column
2 column available 4 heights
3 column available in 3 heights
Up to 40 sections

Full range and sizes see pages 158-160

© Registered trademark of Farrow & Ball Holdings Limited

Finish

Complete Farrow & Ball® range
see pages 44-45 for details
26 RAL colours
1 Galvanised Special Finish
4 Special Finishes
Polished & Burnished finishes



Delivery

15 working days for Farrow & Ball®
4 weeks: RAL colours, Soft Gold, Slate Grey,
Flat Black, Antique Brass & Burnished
5 weeks: Galvanised Copper & Polished
For orders of more than 10 radiators allow
an extra 10 working days.



Linton 2 Column, 10 sections, 721mm high in Antique Brass with Vintage XL TRV valves.

Cast Iron Range shown on pages 26-41

Overview

Cast Iron; 4 Column, 2 Classic and Ornate Styles
Up to 20 years guarantee, CE approved & certified to BS EN442

Finish

Uxbridge & Aston; available in 26 RAL colours and a Polished finish
Ledbury, Telford & Trieste; available in primer, 26 RAL colours, 31 Special Finishes, Polished or Burnished (Trieste) and Lacquered.
Linton; 26 RAL colours, 4 Special finishes, 1 Galvanised Special Finish, Polished & Burnished. Please call **01342 302250** for a RAL / Special Finish chart

Delivery

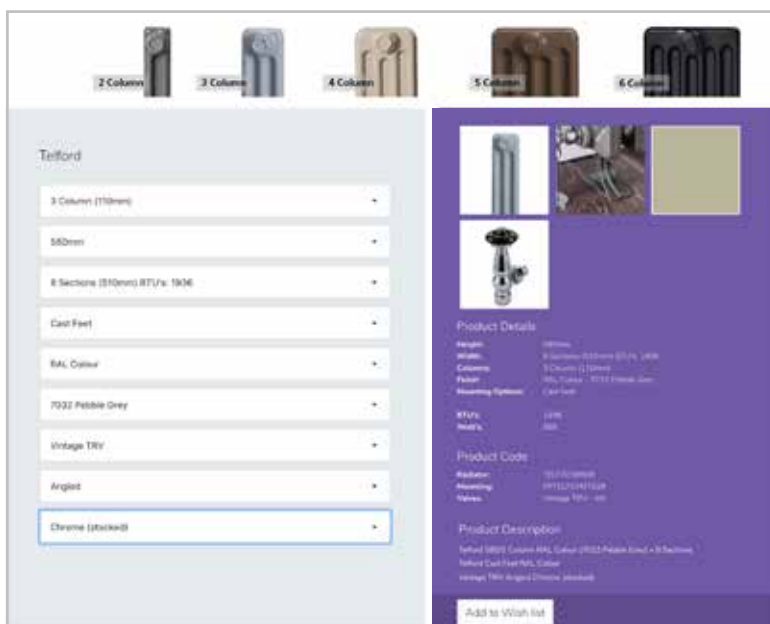
Uxbridge & Aston; 15 working days for RAL colours, 5 weeks for Polished.
Ledbury, Telford & Trieste; 3-5 working days for primer, 15 working days for RAL colours & special finishes. 4 weeks for Lacquer, 5 weeks for Polished & Burnished.
Linton; 4-5 weeks dependent on finish see pages 158-160 for full details.
Please add 10 working days for orders of more than 10 radiators



Choose your radiator using our online radiator builder

Once you know your outputs use our online radiator builder to select the best solution for your room. It will take you through the process quickly and easily and allows you to save your ideas to your own Wish List. Go to our website www.theradiatorcompany.co.uk

It is vital to know the correct heat output you need to keep your room warm, use our online Heat Output Calculator to get a guide to your requirements which you can then check with your installer.



Once you know your outputs you can also use the brochure to specify your radiator by following these steps (or call our Customer Services team on 01342 302250 who will help you size your radiator)

- Note the space you have in mind for the radiator(s) you need; vertical or horizontal, length, height & depth
- Select a column option and height that fits your space; Calculate the number of sections you need by dividing the required BTU (Watt) output with the output per section; e.g 1913 BTUs divided by 242 = 8 sections, based on 3 column, 580mm high sections (always round up to the next whole number of sections)
- If using that section size does work in the space available, try a different column option or if possible a different height
- Once you have calculated the best number and size of section, select the best mounting option and kit; footed end section, cast feet or wall brackets. For the Telford you have the option of footed ends, cast feet or wall brackets. Uxbridge, Aston & Ledbury are available with footed ends as standard or optional wall brackets (available on request). For the Trieste and Linton ranges these are only available with footed ends.
- Your cast iron radiator can be painted in a selection of the most popular colours from the RAL range, special finishes, in a polished or burnished finished (Trieste) or a lacquered finish. Please specify your chosen colour at time of order. Please note: as a result of the casting process, cast iron radiators have a rough surface finish with small imperfections which will show after the painting process.
- Work out the price of your radiator; e.g Telford 3 column, 580 high, 8 section, RAL 7032 = £61.87 x 8 = £494.56 + Cast feet Kit (2) = £86.40 - Total = £581.36
- Place your order with your local Merchant using thesectional model code x No. of sections needed, noting the mounting option and the name and number of colour you have chosen; e.g TELF3C58 x 8 sections, RAL 7032 Pebble Grey with cast feet
- If you have chosen a colour make sure you list the colour number and name

All prices and outputs are given per section in the tables on pages 146-163. Price per section includes plugs, bushes and diverter. Mounting options must be selected separately, these will include the air vent and appropriate number of wall ties.

Linton shown on pages 40-41

Overview

Cast Iron; Footed ends only
10 year guarantee, CE approved & certified to BS EN442

Finish

26 RAL colours, 3 Special Finishes, Polished and Burnished finishes plus
1 Galvanised Finish (details below).
Please call **01342 302250** for a RAL or Special Finish chart

Delivery

Made to order: 4 weeks: RAL colours, Soft Gold, Slate Grey, Flat Black,
Antique Brass & Burnished. 5 weeks: Galvanised Copper & Polished.
For orders of more than 10 radiators allow an extra 10 working days.

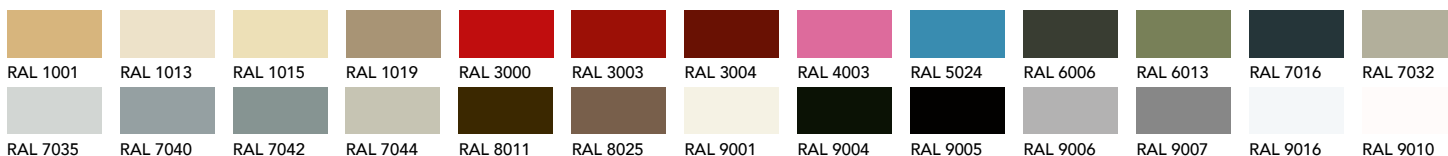


Farrow & Ball® finishes available in selected sizes, see page 161 for full details
®Registered trademark of Farrow & Ball Holdings Limited

Linton Finishes

26 RAL Colours

The Linton is available in a range of colours from the RAL range, an industry standard range of colours. Select from 26 of the most popular colours, produced to order and delivered in 4 weeks.



5 Linton Finishes

Five exclusive finishes are available for the Linton, a special two pack paint system is used to create some exciting and impactful finishes, including a galvanised effect for Antique Brass.



The Linton can be finished with a full galvanised top coat. The galvanic process applies a coating of Metal (copper in this case) which is then finished to create an aged effect.

Burnished & Polished

Created by hand, an initial black paint is used to protect hidden, hard to access areas of the radiator and to highlight the visible polished areas; a series of burnishing and polishing processes produces the final stunning results.



Please note, due to the printing process, these colours may not be representative of the true finished colour. For a colour chart call **01342 302250**.

Linton quick selection sizes shown on pages 40-41

Quick Selection Sizes (widths include measurement for bushes) - Delivered in 4 weeks

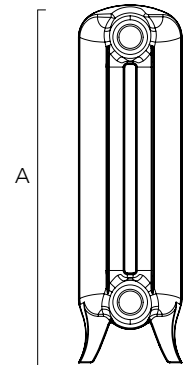
For our most popular sizes of Linton radiators, simply find the sizes that fulfill your heat and space requirements. If this quick selection does not meet your requirements you can use the sectional tables adjacent to work out other sizes to fit your space. Linton radiators are priced with footed end sections included.

Important Note: Due to the weight of Linton radiators, we can only supply complete or part assembled radiators up to a maximum of 10 sections. Radiators over 10 sections must be site assembled with a heavy duty joining key (see page 155) available on a sale or return basis; appropriate nipples & gaskets are supplied, see page 155 for details.

Quick Selection - RAL & Special Finishes (Soft Gold, Slate Grey, Flat Black) shown left on page 158

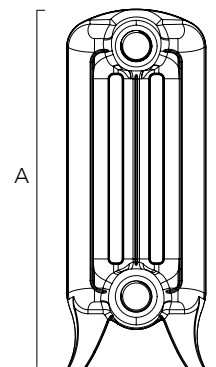
Model	Column	Sections	Height A (mm)	Width B (mm)	Watts Δt 50°C	Btu's Δt 50°C	RAL Ex VAT	Special Finishes Ex VAT	RAL Inc VAT	Special Finishes Inc VAT
LINT2C521X6+FS	2	6	521	524	510	1740	£624.00	£666.00	£748.80	£799.20
LINT2C521X8+FS	2	8	521	688	680	2320	£832.00	£888.00	£998.40	£1,065.60
LINT2C521X10+FS	2	10	521	852	850	2900	£1,040.00	£1,110.00	£1,248.00	£1,332.00
LINT2C521X13+FS	2	13	521	1098	1105	3770	£1,352.00	£1,443.00	£1,622.40	£1,731.60
LINT2C521X17+FS	2	17	521	1426	1445	4930	£1,768.00	£1,887.00	£2,121.60	£2,264.40
LINT2C521X20+FS	2	20	521	1672	1700	5800	£2,080.00	£2,220.00	£2,496.00	£2,664.00
LINT2C621X6+FS	2	6	621	524	612	2088	£708.00	£774.00	£849.60	£928.80
LINT2C621X8+FS	2	8	621	688	816	2784	£944.00	£1,032.00	£1,132.80	£1,238.40
LINT2C621X10+FS	2	10	621	852	1020	3480	£1,180.00	£1,290.00	£1,416.00	£1,548.00
LINT2C621X13+FS	2	13	621	1098	1326	4524	£1,534.00	£1,677.00	£1,840.80	£2,012.40
LINT2C621X17+FS	2	17	621	1426	1734	5916	£2,006.00	£2,193.00	£2,407.20	£2,631.60
LINT2C621X20+FS	2	20	621	1672	2040	6960	£2,360.00	£2,580.00	£2,832.00	£3,096.00
LINT2C721X6+FS	2	6	721	524	744	2539	£732.00	£810.00	£878.40	£972.00
LINT2C721X8+FS	2	8	721	688	992	3385	£976.00	£1,080.00	£1,171.20	£1,296.00
LINT2C721X10+FS	2	10	721	852	1240	4231	£1,220.00	£1,350.00	£1,464.00	£1,620.00
LINT2C721X13+FS	2	13	721	1098	1612	5500	£1,586.00	£1,755.00	£1,903.20	£2,106.00
LINT2C721X17+FS	2	17	721	1426	2108	7192	£2,074.00	£2,295.00	£2,488.80	£2,754.00
LINT2C721X20+FS	2	20	721	1672	2480	8462	£2,440.00	£2,700.00	£2,928.00	£3,240.00
LINT2C921X6+FS	2	6	921	524	894	3050	£876.00	£918.00	£1,051.20	£1,101.60
LINT2C921X8+FS	2	8	921	688	1192	4067	£1,168.00	£1,224.00	£1,401.60	£1,468.80
LINT2C921X10+FS	2	10	921	852	1490	5084	£1,460.00	£1,530.00	£1,752.00	£1,836.00
LINT2C921X13+FS	2	13	921	1098	1937	6609	£1,898.00	£1,989.00	£2,277.60	£2,386.80
LINT2C921X17+FS	2	17	921	1426	2533	8643	£2,482.00	£2,601.00	£2,978.40	£3,121.20
LINT2C921X20+FS	2	20	921	1672	2980	10168	£2,920.00	£3,060.00	£3,504.00	£3,672.00
LINT3C621X6+FS	3	6	621	524	708	2416	£846.00	£876.00	£1,015.20	£1,051.20
LINT3C621X8+FS	3	8	621	688	944	3221	£1,128.00	£1,168.00	£1,353.60	£1,401.60
LINT3C621X10+FS	3	10	621	852	1180	4026	£1,410.00	£1,460.00	£1,692.00	£1,752.00
LINT3C621X13+FS	3	13	621	1098	1534	5234	£1,833.00	£1,898.00	£2,199.60	£2,277.60
LINT3C621X17+FS	3	17	621	1426	2006	6844	£2,397.00	£2,482.00	£2,876.40	£2,978.40
LINT3C621X20+FS	3	20	621	1672	2360	8052	£2,820.00	£2,920.00	£3,384.00	£3,504.00
LINT3C721X6+FS	3	6	721	524	864	2948	£882.00	£1,026.00	£1,058.40	£1,231.20
LINT3C721X8+FS	3	8	721	688	1152	3931	£1,176.00	£1,368.00	£1,411.20	£1,641.60
LINT3C721X10+FS	3	10	721	852	1440	4913	£1,470.00	£1,710.00	£1,764.00	£2,052.00
LINT3C721X13+FS	3	13	721	1098	1872	6387	£1,911.00	£2,223.00	£2,293.20	£2,667.60
LINT3C721X17+FS	3	17	721	1426	2448	8353	£2,499.00	£2,907.00	£2,998.80	£3,488.40
LINT3C721X20+FS	3	20	721	1672	2880	9827	£2,940.00	£3,420.00	£3,528.00	£4,104.00
LINT3C921X6+FS	3	6	921	524	1116	3808	£1,062.00	£1,200.00	£1,274.40	£1,440.00
LINT3C921X8+FS	3	8	921	688	1488	5077	£1,416.00	£1,600.00	£1,699.20	£1,920.00
LINT3C921X10+FS	3	10	921	852	1860	6346	£1,770.00	£2,000.00	£2,124.00	£2,400.00
LINT3C921X13+FS	3	13	921	1098	2418	8250	£2,301.00	£2,600.00	£2,761.20	£3,120.00
LINT3C921X17+FS	3	17	921	1426	3162	10789	£3,009.00	£3,400.00	£3,610.80	£4,080.00
LINT3C921X20+FS	3	20	921	1672	3720	12693	£3,540.00	£4,000.00	£4,248.00	£4,800.00

2 Column



Pipe centres left to right	width + valves
Pipe centres from wall	120mm
Depth from wall	210mm

3 Column



Pipe centres left to right	width + valves
Pipe centres from wall	130mm
Depth from wall	230mm

Please specify your finish at time of order

Linton Sectional supplied with footed end sections only, wall ties & an airvent

Build your radiator to fit your requirements using individual sections shown below, visit page 145 to help you size your radiator. If you require more than 40 sections please contact our Customer Services team on 01342 302250.

The Linton is a free standing radiator and is supplied with footed end sections only

RAL & Special Finishes (Soft Gold, Slate Grey, Flat Black)

2 Column

Model	Height A (mm)	Width B (mm)	Watts Δt 50°C	Btu's Δt 50°C	RAL Colour Ex VAT	Special Finishes Ex VAT	RAL Colour Inc VAT	Special Finishes Inc VAT
LINT2C521	521	82	85	290	£104.00	£111.00	£124.80	£133.20
LINT2C621	621	82	102	348	£118.00	£129.00	£141.60	£154.80
LINT2C721	721	82	124	423	£122.00	£135.00	£146.40	£162.00
LINT2C921	921	82	149	508	£146.00	£153.00	£175.20	£183.60



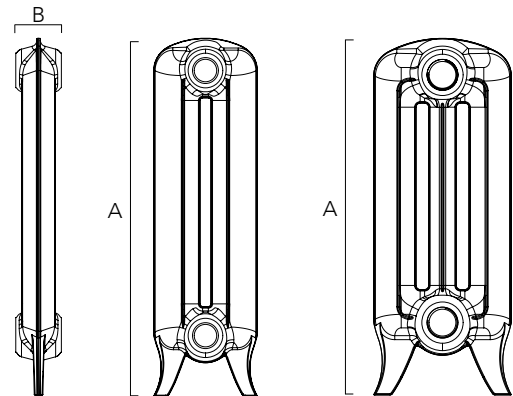
Soft Gold

Slate Grey

Flat Black

3 Column

Model	Height A (mm)	Width B (mm)	Watts Δt 50°C	Btu's Δt 50°C	RAL Ex VAT	Special Finishes Ex VAT	RAL Inc VAT	Special Finishes Inc VAT
LINT3C621	621	82	118	403	£141.00	£146.00	£169.20	£175.20
LINT3C721	721	82	144	491	£147.00	£171.00	£176.40	£205.20
LINT3C921	921	82	186	635	£177.00	£200.00	£212.40	£240.00



Please specify your finish at time of order, delivery time is 4 weeks

Linton	Pipe centres left to right	Pipe centres from wall	Depth from wall
2 Column	82 x number of sections + 32mm + valves	120mm	210mm
3 Column	82 x number of sections + 32mm + valves	130mm	230mm

Burnished & Polished Finishes

2 Column

Model	Height A (mm)	Width B (mm)	Watts Δt 50°C	Btu's Δt 50°C	Burnished Ex VAT	Polished Ex VAT	Burnished Inc VAT	Polished Inc VAT
LINT2C521	521	82	85	290	£117.00	£121.00	£140.40	£145.20
LINT2C621	621	82	102	348	£136.00	£142.00	£163.20	£170.40
LINT2C721	721	82	124	423	£143.00	£160.00	£171.60	£192.00
LINT2C921	921	82	149	508	£170.00	£203.00	£204.00	£243.60



Burnished

Polished

3 Column

Model	Height A (mm)	Width B (mm)	Watts Δt 50°C	Btu's Δt 50°C	Burnished Ex VAT	Polished Ex VAT	Burnished Inc VAT	Polished Inc VAT
LINT3C621	621	82	118	403	£155.00	£189.00	£186.00	£226.80
LINT3C721	721	82	144	491	£184.00	£224.00	£220.80	£268.80
LINT3C921	921	82	186	635	£213.00	£257.00	£255.60	£308.40

Please specify your finish at time of order, delivery time is 4 weeks for Burnished 5 weeks for Polished.

Antique Brass & Galvanised Finish Antique Copper

2 Column

Model	Height A (mm)	Width B (mm)	Watts Δt 50°C	Btu's Δt 50°C	Antique Brass Ex VAT	Galvanic Copper Ex VAT	Antique Brass Inc VAT	Galvanic Copper Inc VAT
LINT2C521	521	82	85	290	£161.00	£173.00	£193.20	£207.60
LINT2C621	621	82	102	348	£172.00	£191.00	£206.40	£229.20
LINT2C721	721	82	124	423	£185.00	£205.00	£222.00	£246.00
LINT2C921	921	82	149	508	£215.00	£253.00	£258.00	£303.60



Galvanised Copper

Antique Brass

3 Column

Model	Height A (mm)	Width B (mm)	Watts Δt 50°C	Btu's Δt 50°C	Antique Brass Ex VAT	Galvanic Copper Ex VAT	Antique Brass Inc VAT	Galvanic Copper Inc VAT
LINT3C621	621	82	118	403	£194.00	£214.00	£232.80	£256.80
LINT3C721	721	82	144	491	£225.00	£253.00	£270.00	£303.60
LINT3C921	921	82	186	635	£265.00	£311.00	£318.00	£373.20

Please specify your finish at time of order, delivery time is 4 weeks for Antique Brass, 5 weeks for Galvanised Antique Copper.