

Ancona® Curved Specification Instructions



Ancona Curved

Specification Instructions

The process for specifying your curved Ancona is very simple, however it is important to be accurate with any dimensions to ensure your radiator is built correctly – there will be opportunity to double check all figures against technical drawings before finalising the order.

As part of the process you will need to select a Merchant or Showroom through which to place your order, we can help nominate an outlet if you would prefer. Details of your Merchant or Showroom will be required for your design form (found at the end of this document).

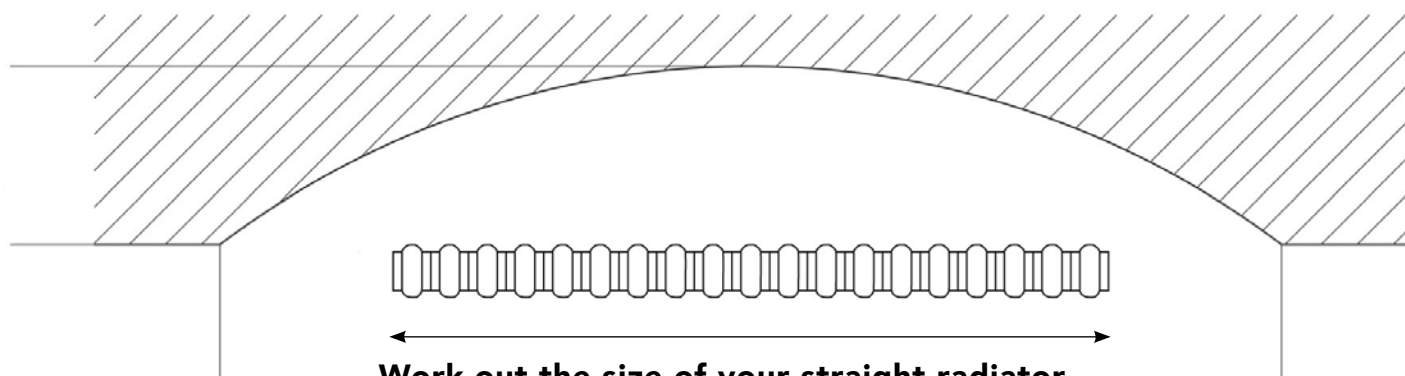
Please follow the 6 simple steps below and when you have completed them send us your design form via email, fax or post (details below). Once we have all your details we will prepare technical drawings and a quote for you to check and approve. Once approved, in writing, we will confirm your order and start production of your radiator. Your radiator will then be delivered direct to site in 3 – 4 weeks from order confirmation.

Step 1.

Work out the BTU output required to heat your room. To do this you will need to have details to hand of the room height, width and depth, as well as the type of window glazing (single or double). Use our online Heat Output Calculator (www.theradiatorcompany.co.uk) as a guide or ask your installer to work it out for you.

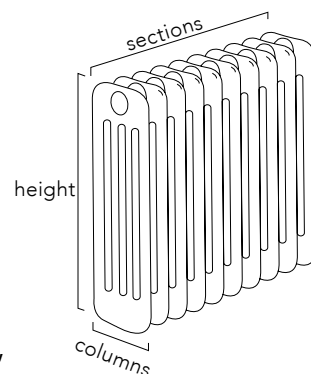
Step 2.

Work out the size of radiator needed to deliver the correct output for your room. You only need to tell us the size of the straight radiator you require we will work out the bending and profile. Your straight radiator plus valves (allow an extra 80-120mm on your width) must be at least 100mm shorter than the width of your bay (known as the Chord). Please note you may require more than one radiator to heat your room.



**Work out the size of your straight radiator
minimum 22 sections (1012mm) for 3 column, 29 sections (1334mm) for 4 column
maximum 40 sections**

When making curved radiators we prefer to use 3 or 4 column sections, 500mm or 600mm high with welded feet as standard (height is increased by 100mm with welded feet), follow the instructions in our brochure or on our website to find the right size for you using these sections if you can. If you require a different section size please contact us to discuss your options.



Please consider the height of your window sill when choosing your section, allow at least 40mm gap between the sill and the top of your radiator, this will not only be more aesthetic but assist with air circulation and heat distribution. Valves will be required and they add approximately 80-120mm to the overall width of a radiator.

Column profiles



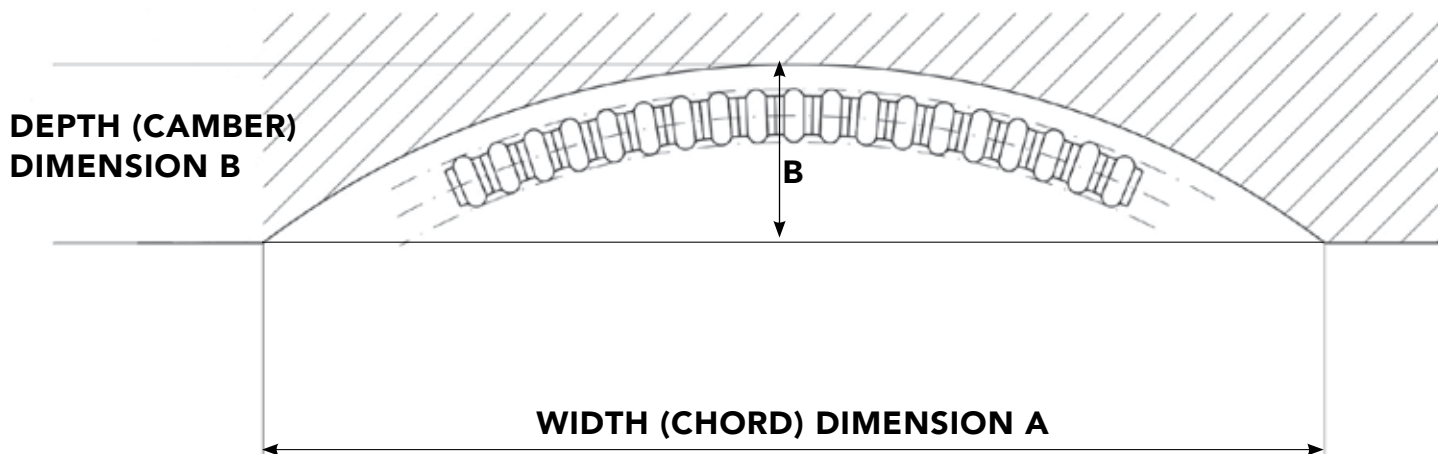
Heights



Step 3.

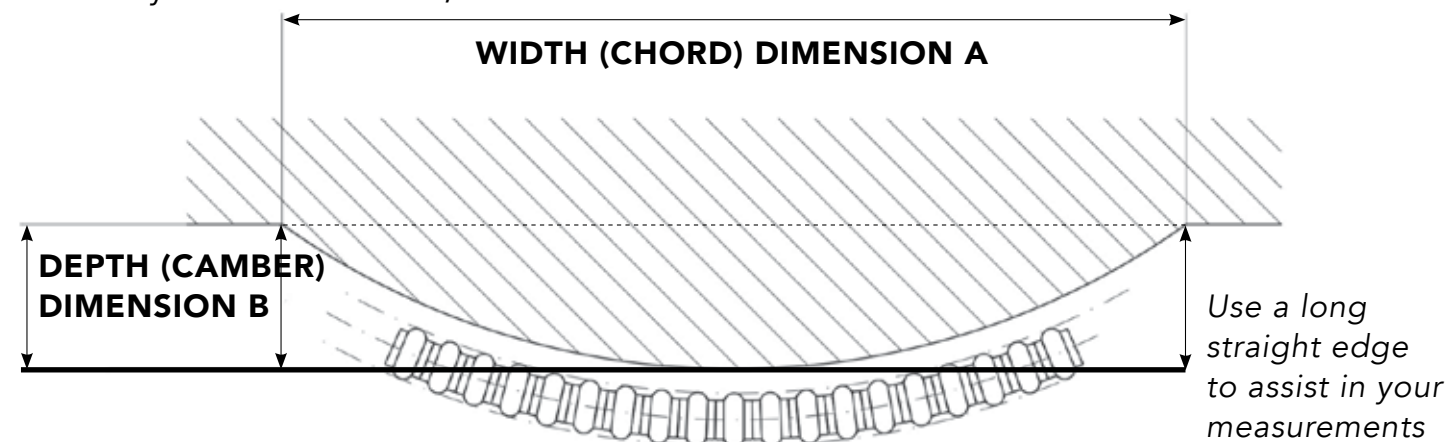
Measure your Internal or External Curves.

To help measure an External curve use a long straight edge (e.g. a length of 2 x 1 timber and / or spirit level and masking tape) to establish your width (chord) and measure both sides to double check your depth (Camber) is consistent. It is always advisable to take a short break and then double check your measurements to avoid any mistakes.



- A. Measure the width of the bay (this is called the Chord, Dimension A shown above)
- B. From the centre of the bay measure the distance to the skirting board if present (known as the camber, dimension B shown above)

Measure your External curve;



- A. Measure the width of the curve (known as the chord, Dimension A on the drawing above).
- B. Measure the depth of the column, use a straight edge and a spirit level to help if needed, to measure the depth (known as the camber) of the curve. Measure both sides of the curve to check they are consistent.

Step 4.

Complete the design form (at the end of this document) with your measurements, outputs and radiator sizes. Email fax or post the form to us, remember to keep a copy for your records.

Email: sales@theradiatorcompany.co.uk Phone: 01342 302250 Fax: 01342 302260

Post: The Radiator Company
13 – 14 Charlwoods Road
East Grinstead
West Sussex
RH19 2HU

These details can also be found on the design form. If you have any questions please call us.

Step 5;

We will review your details and prepare technical drawings of your radiators, which we will send to you for you to check and approve – please ensure your contact details are on the form in case we need to call you to discuss the details of your radiator

Step 6;

Review and approve your drawings (or comment as required), return a signed copy for our records. Before confirming your order please consider the access available on your site, as we will deliver direct to you and need to ensure the radiator can be moved into the building without difficulty. Curved radiators need careful handling and should not be carried like a stretcher, radiators should always be carried in an upright position (as shown below - handling and fittings instructions will be supplied at a later date).

Once we have a signed copy of your technical drawing we will confirm our order and put your radiator into production.

Delivery to site:

In order to ensure your new radiator is delivered in perfect condition we will deliver direct to your site. To facilitate this please take note of the following conditions;

- 1.** Radiators will be delivered on a pallet and should be left on this until required for installation.
- 2.** Deliveries will be made to the nearest hard standing area, it is important that suitable assistance is available on site to help off load the delivery
- 3.** Radiators should be moved under cover to protect from adverse weather conditions.

Your Name:			
Address:			
Your Phone Number :	Home:	Mobile:	
Merchant / Showroom:			
Merchant Contact:			
Merchant Phone Number :			
Room Reference:			
Output Required: (Δt 50°C)	BTU's:	Watt's:	
No. of 3 Column sections (min 22 - max 40):		No. of 4 Column sections (min 29 - max 40):	
Length of 3 Column Radiator (min 1012mm)		Length of 4 Column Radiator (min 1334mm)	
Section Height: 500mm		Section Height: 600mm	
Colour RAL or Special Finish:			
Curve:	Internal: <input type="checkbox"/>	External: <input type="checkbox"/>	
Dimension A; width (the Chord)			mm
Dimension B; depth (the Camber)			mm
Date:	Signature:		

Please return this form to The Radiator Company:

Email: sales@theradiatorcompany.co.uk Fax: 01342 302260

Post; The Radiator Company, 13-14 Charlwoods Road, East Grinstead, West Sussex, RH19 2HU.

Please call us if you require any assistance on 01342 302250.