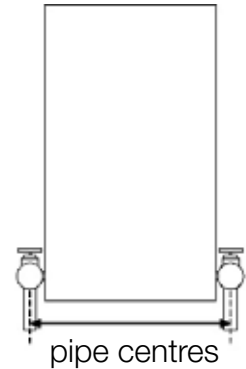


## Vision 13 / 25

Supplied with 4 brackets, 2 for the top and 2 for the bottom.  
35mm collectors.  
13mm or 25mm cross tubes.

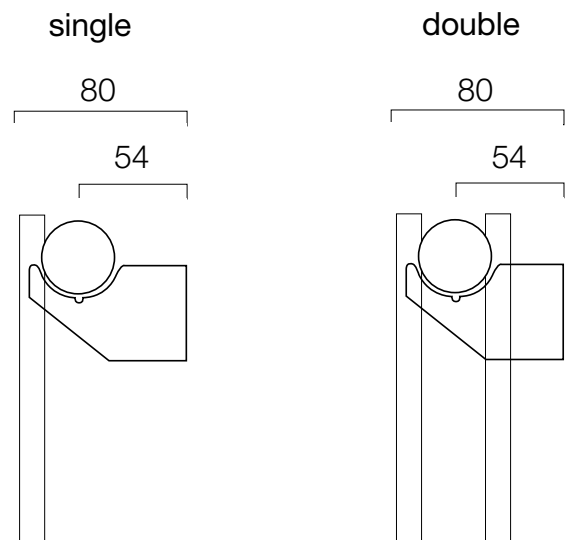
Automatic bleed valve included with these radiators.



## Vision 13

Pipe centres left to right = width of radiator + valves  
Pipe centres from wall = 54mm  
Depth from wall = 80mm

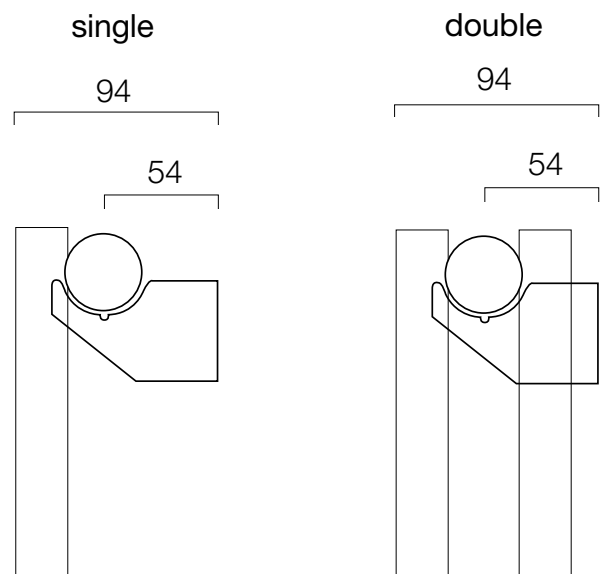
B2 connections must be specified at time of order  
B2 pipe centres = width - 58mm



## Vision 25

Pipe centres left to right = width of radiator + valves  
Pipe centres from wall = 54mm  
Depth from wall = 94mm

B2 connections must be specified at time of order  
B2 pipe centres = width - 80mm



### Important Note

The Radiator Company recommend that existing or new pipework is not adjusted until the radiator or towel rail is installed in its final position.