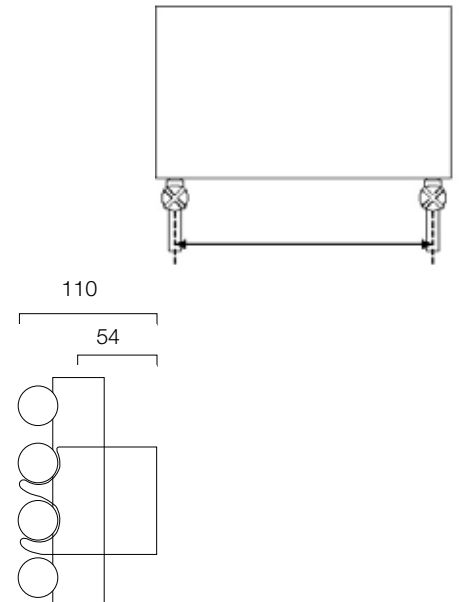
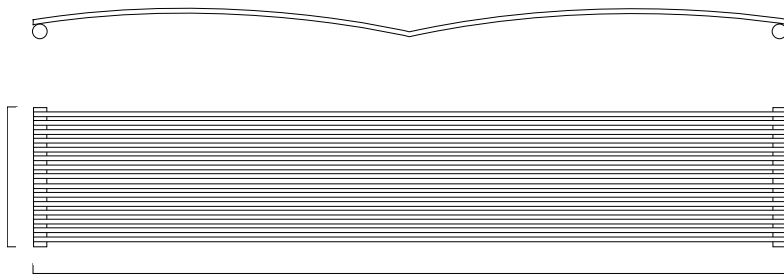


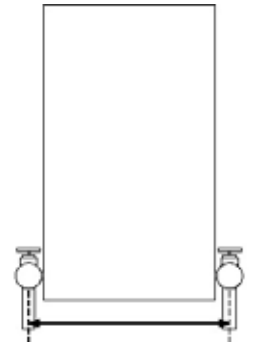
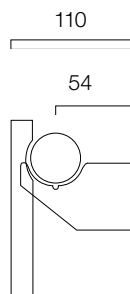
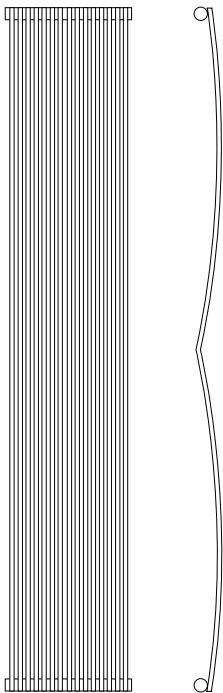
Gullwing

Supplied with 4 brackets - 2 for the top and 2 for the bottom.
 35mm collectors.
 13mm cross tubes.
 Automatic bleed valve included with these radiators.

Pipe centres left to right = width of the radiator - 45mm
 Pipe centres from wall = 54mm
 Depth from wall = 110mm



Pipe centres left to right = width of the radiator + valves
 Pipe centres from wall = 54mm
 Depth from wall = 110mm



Important Note

The Radiator Company recommend that existing or new pipework is not adjusted until the radiator or towel rail is installed in its final position.

For further information please call us on:

01342 302250